

MARINE
EQUIPMENT
GUIDE | 08
09



Dock like a pro with Lewmar TT Thrusters.

Maneuvering around the dock area can be difficult, but Lewmar's TT Thrusters make docking simple. The revolutionary design of the TT propeller – the latest in Lewmar's long history of custom thruster solutions – achieves perfectly even thrust in both directions for maximum control and maneuverability. All Lewmar Thrusters have been extensively tested, resulting in a smooth, efficient and quiet performance that will have you docking like a pro in no time.



Features

- Range from 2.0kW (3HP) to 15kW (20HP)
- No reservoir to install, no leaks and no maintenance
- High-performance 5-blade propellers give equal thrust in both directions
- High-integrity seal
- Spline-driven propeller, no drive pin required
- Black box electronics prevent misuse and protect motor
- Hardened and ground spiral bevel gears for maximum efficiency and quiet power transmission
- Self-resetting thermal protection on all motors
- Choice of Joystick or Touch Panel controls
- Easy plug-together switch connections
- Minimum silhouette hub for smooth water flow



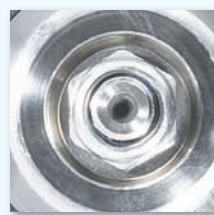
The unique 5-blade propeller produces equal thrust out of the tunnel across the full 140 & 185 range from a single propeller. The 250 & 300 utilize twin counter rotating props to get the best performance from larger tunnels and higher power outputs.



The TT range is spline-driven, no drive pin required.



The Lewmar cassette seal gives excellent protection and better sealing than standard lip seal. This enables Lewmar TT thrusters to be installed without the need for a top-up reservoir and its associated maintenance.



The Lewmar TT anode has a specially designed stainless steel sheath for optimal retention. Secured with a large nut, it is simple to replace.

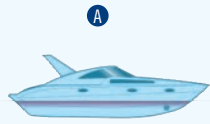


Lewmar controllers are modern and attractive, complementing any instrument cluster and are simple to install.

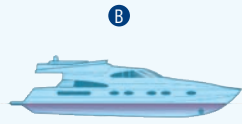


The TT has safety built in; the sealed black box protects the Thruster against misuse. The motor thermal switch self-sets to provide temperature control for optimal performance.

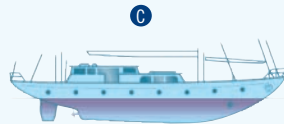
Force Factor Guide



Sleek Power Boat



Fast Cruiser



Heavy Displacement Yacht

	Wind effects (Conditions)	Force Factor		
		A Light Displacement/ Low Windage	B Medium Displacement/ Medium Windage	C Heavy Displacement/ High Windage
Slight	5-8M/S, 11-16 Knots, Beaufort F4, 12-18mph	1	2	3
Moderate	8-11M/S, 17-21 Knots, Beaufort F5, 19-24mph	4	5	6
Rough	11-14M/S, 21-26 Knots, Beaufort F6, 25-30mph	7	8	9

Thruster Selection Guide

After deciding FF above, locate boat LOA and appropriate TT Thruster.

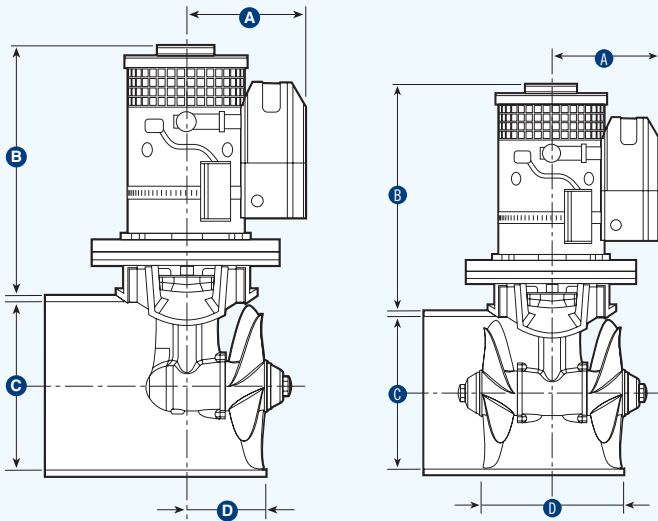
FF	LOA (m)	(8)	(9)	(10.5)	(12)	(13.5)	(15)	(16.7)	(18.2)	(19.7)	(21.2)	(22.7)	(24.2)	(26)	(27.3)
	LOA ft	25	30	35	40	45	50	55	60	65	70	75	80	85	90
1	140TT			185TT				250TT		250TTHyd & 300TTE			300TTH		
2	140TT			185TT				250TT		250TTHyd & 300TTE			300TTH		
3	140TT			185TT				250TT		250TTHyd & 300TTE			300TTH		
4	140TT			185TT				250TT		250TTHyd & 300TTE			300TTH		
5	140TT			185TT				250TT		250TTHyd & 300TTE			300TTH		
6	140TT			185TT				250TT		250TTHyd & 300TTE			300TTH		
7	140TT			185TT				250TT		250TTHyd & 300TTE			300TTH		
8	140TT			185TT				250TT		250TTHyd & 300TTE			300TTH		
9	140TT			185TT				250TT		250TTHyd & 300TTE			300TTH		

Note: The 250TTHyd can be used in all areas that the 300TTH10.8 appears.



TT Thruster Specifications

TT Thruster Dimensions



Part No.	Model	Voltage	Power	Gearbox Metal	Tunnel	Props	Thrust	Weight	A		B		C		D	
									mm	in	mm	in	mm	in	mm	in
591402	140TT 2.0	12V	2,0kw (2.7hp)	Composite	140mm	Single 5-Blade	37kgf (81lbs)	13kgs (29lbs)	123	4 13/16	209	8 1/4	140	5 1/2	73	2 7/8
591401	140TT 2.2	12V	2,2kw (3.0 hp)	Composite	140mm	Single 5-Blade	42kgf (92lbs)	13kgs (29lbs)	123	4 13/16	235	9 1/4	140	5 1/2	73	2 7/8
591801	185TT 3.0	12V	3,0kw (4.0 hp)	Bronze	185mm	Single 5-Blade	58kgf (128lbs)	20kgs (43lbs)	130	5 1/8	271	10 11/16	185	7 5/16	85	3 3/8
591802	185TT 3.0	24V	3,0kw (4.0 hp)	Bronze	185mm	Single 5-Blade	58kgf (128lbs)	20kgs (43lbs)	130	5 1/8	271	10 11/16	185	7 5/16	85	3 3/8
591807	185TT 4.0	12V	4,0kw (5.4 hp)	Bronze	185mm	Single 5-Blade	65kgf (143lbs)	20kgs (43lbs)	148	5 13/16	294	11 9/16	185	7 5/16	85	3 3/8
591808	185TT 4.0	24V	4,0kw (5.4 hp)	Bronze	185mm	Single 5-Blade	65kgf (143lbs)	20kgs (43lbs)	148	5 13/16	294	11 9/16	185	7 5/16	85	3 3/8
591803	185TT 5.0	12V	5,0kw (6.7 hp)	Bronze	185mm	Single 5-Blade	82kgf (180lbs)	27kgs (59lbs)	162	6 3/8	316	12 7/16	185	7 5/16	85	3 3/8
591804	185TT 5.0	24V	5,0kw (6.7 hp)	Bronze	185mm	Single 5-Blade	82kgf (180lbs)	27kgs (59lbs)	162	6 3/8	316	12 7/16	185	7 5/16	85	3 3/8
591805	185TT 6.0	12V	6,0kw (8.0 hp)	Bronze	185mm	Single 5-Blade	97kgf (213lbs)	27kgs (59lbs)	173	6 13/16	316	12 7/16	185	7 5/16	85	3 3/8
591806	185TT 6.0	24V	6,0kw (8.0 hp)	Bronze	185mm	Single 5-Blade	97kgf (213lbs)	27kgs (59lbs)	173	6 13/16	316	12 7/16	185	7 5/16	85	3 3/8
591833*	185TT 5.0	12V IP	5,0kw (6.7 hp)	Bronze	185mm	Single 5-Blade	82kgf (180lbs)	27kgs (59lbs)	196	7 11/16	332	13 1/16	185	7 5/16	85	3 3/8
591834*	185TT 5.0	24V IP	5,0kw (6.7 hp)	Bronze	185mm	Single 5-Blade	82kgf (180lbs)	27kgs (59lbs)	196	7 11/16	332	13 1/16	185	7 5/16	85	3 3/8
591836*	185TT 6.0	24V IP	6,0kw (8.0 hp)	Bronze	185mm	Single 5-Blade	97kgf (213lbs)	27kgs (59lbs)	196	7 11/16	332	13 1/16	185	7 5/16	85	3 3/8
592501	250TT 8.0	24V	8,0kw (10.8 hp)	Bronze	250mm	Twin CR 5-Blade	140kgf (308lbs)	46kgs (102lbs)	165	6 1/2	405	15 15/16	250	9 13/16	238	9 3/8
592502	250TT 9.6	48V	9,6kw (13.0 hp)	Bronze	250mm	Twin CR 5-Blade	170kgf (374lbs)	50kgs (110lbs)	165	6 1/2	427	16 13/16	250	9 13/16	238	9 3/8
592503	250TT 8.0	24V	8,0kw (10.8 hp)	Aluminum	250mm	Twin CR 5-Blade	140kgf (308lbs)	46kgs (102lbs)	165	6 1/2	405	15 15/16	250	9 13/16	238	9 3/8
593001	300TT 10.8	24V	10,8kw (14.5 hp)	Bronze	300mm	Twin CR 5-Blade	250kgf (550lbs)	65kgs (143lbs)	203	8	450	17 11/16	300	11 13/16	320	12 5/8
593002	300TT 15.0	48V	15kw (20.0 hp)	Bronze	300mm	Twin CR 5-Blade	280kgf (616lbs)	68kgs (150lbs)	203	8	450	17 11/16	300	11 13/16	320	12 5/8
593003	300TT 10.8	24V	10,8kw (14.5 hp)	Aluminum	300mm	Twin CR 5-Blade	250kgf (550lbs)	65kgs (143lbs)	203	8	450	17 11/16	300	11 13/16	320	12 5/8

* Ignition Protection on gas (petrol) boats, see www.lewmar.com for details.





589013



589006



589003



589004



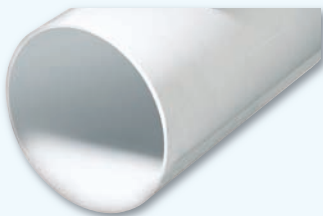
589001



589002



Connecting Cables



Tunnels



Stern Kits

Accessories

Fuse Holders

Standard Fuse Holder – 589006 Our basic fuse holder is designed for ANL fuses and comes complete with a polycarbonate safety cover.

T2 Fuse Holder – 589013 This higher spec fuse holder for ANL fuses allows for easy fuse replacement. The cable is clamped independently, so a fuse can be changed without disturbing the cable. The T2 also comes with a polycarbonate safety cover.

Control Panels

Lewmar's attractive panels are easy to install using a hole saw and our simple connection system.

Joystick Panel – 589002 Lewmar's Joystick Panel features a one second press-and-hold safety ON device, auto shut-off after 3 minutes of continuous use and also after 15 minutes of continuous inactivity. To prevent damage to electric motor the panel has a one-second delay from Port to Starboard (and Starboard to Port).

Locking Joystick Controller – 589003 The Lewmar Locking Joystick Controller is an ideal entry-level safety panel. To operate, simply lift the center lever and move in the desired direction.

Dual Joystick Panel – 589004/Touch Panel – 589001 Our Dual Joystick Panel and Touch Panels incorporate safety locks, illumination and many other safety features.

Connecting Leads and Y Connectors

Lewmar supplies 4-wire cables suitable for most installations or 5-wire cables for installations where a Battery Switch is connected. To install, simply measure the distance from the Thruster to the Panel and choose the lead that fits best. If you are installing a second or third panel, use a Y Connector to divert power back to the Thruster. *(For part number refer to page 40)*

Tunnels

Our range of high quality filament wound GRP tunnels is manufactured to our specifications and comes in a variety of cut lengths. We also have a limited range of steel tubes. *(For part number refer to page 40)*

Stern Kits

Lewmar manufactures sturdy stern kits from durable GRP. You'll find a kit to match our Thrusters – sizes 140TT through 300TT. *(For part number refer to page 40)*



12V-24V & 24V-48V Switch Box



Automatic Battery Switch

Automatic Battery Switch (ABS)

Our easy-to-install Automatic Battery Switch is a paradigm of safety. If it is installed close to the batteries, it will prevent power from reaching the Thruster until the Lewmar panel is activated. When thrusting is finished but the panel has not yet been switched off, the ABS will sense the lack of activity and switch the power off automatically. And finally, if there is a need for thrusting and the panel is operating, the ABS will sense this need and activate. *(For part number refer to page 40)*



Switch Box

To allow safe usage of a 24V thruster on a 12V boat and 48V thruster on a 24V boat. Additional batteries will be required. *(For part number refer to page 40)*

CABLE CSA mm - Cable lengths in meters

TT Model	Current (A)	25	35	50	70	95	120	150	175
140 2.0 kw-12V	270	6	10	16	22	-	-	-	-
140 2.2 kw-12V	280	6	10	15	21	-	-	-	-
185 3.0 kw-12V	330	6	8	10	15	21	-	-	-
185 3.0 kw-24V	160	18	22	-	-	-	-	-	-
185 4.0 kw-12V	470	4	6	8	12	16	21	26	30
185 4.0 kw-24V	235	12	16	25	33	-	-	-	-
185 5.0 kw-12V	480	4	6	8	12	16	20	25	29
185 5.0 kw-24V	240	12	16	24	32	-	-	-	-
185 6.0 kw-12V	700	-	-	6	8	12	15	21	28
185 6.0 kw-24V	370	9	12	16	24	32	-	-	-
250 8.0 kw-24V	500	7	10	12	21	28	36	45	-
250 9.6 kw-48V	330	-	26	37	50	64	-	-	-
300 10.8 kw-24V	650	4	6	9	12	16	21	25	30
300 15.0 kw-48V	420	-	24	35	48	62	-	-	-

CABLE AWG - Cable lengths in feet

TT Model	Current (A)	3	2	1	0	00	000	0000	2x0000
140 2.0 kw-12V	270	20	31	42	53	64	-	-	-
140 2.2 kw-12V	280	20	30	40	50	60	-	-	-
185 3.0 kw-12V	330	19	24	30	37	49	62	-	-
185 3.0 kw-24V	160	63	80	-	-	-	-	-	-
185 4.0 kw-12V	470	14	18	23	30	38	48	60	-
185 4.0 kw-24V	235	42	50	68	80	100	-	-	-
185 5.0 kw-12V	480	14	18	23	29	37	47	59	-
185 5.0 kw-24V	240	42	50	68	80	100	-	-	-
185 6.0 kw-12V	700	-	13	16	21	28	35	50	100
185 6.0 kw-24V	370	-	37	45	60	74	97	-	-
250 8.0 kw-24V	500	-	32	41	52	66	84	105	-
250 9.6 kw-48V	330	-	80	98	118	154	-	-	-
300 10.8 kw-24V	650	-	19	24	31	39	49	65	130
300 15.0 kw-48V	420	-	74	92	112	148	-	-	-



		140TT		185TT										250TT						300TT																	
		591402 - 2.0 kw 12V	591401 - 2.2 kw 12V	591801 - 3.0 kw 12V	591802 - 3.0 kw 24V	591807 - 4.0 kw 12V	591808 - 4.0 kw 24V	591803 - 5.0 kw 12V	591804 - 5.0 kw 24V	591805 - 6.0 kw 12V	591806 - 6.0 kw 24V	591833 - 5.0 kw 12V IP	591834 - 5.0 kw 24V IP	591836 - 6.0 kw 24V IP	591820 - 6cc - 10hp	591821 - 5cc - 10hp	592501 - 8.0 kw 24V	592502 - 9.6 kw 48V	592503 - 8.0 kw 24V	592510 - 26cc - 20hp	592511 - 17cc - 20hp	592520 - 26cc - 20hp	592521 - 17cc - 20hp	592522 - 14cc - 20hp	593001 - 10.8 kw 24V	593002 - 15 kw 48V	593003 - 10.8 kw 24V	593010 - 30cc - 30hp	593011 - 26cc - 30hp	593020 - 30cc - 30hp	593021 - 26cc - 30hp	593022 - 22cc - 30hp	593023 - 19cc - 30hp	593024 - 17cc - 30hp			
Tunnel - Steel	589320 - 1m			•	•	•	•	•	•	•	•	•	•	•	•																						
	589321 - 1.5m			•	•	•	•	•	•	•	•	•	•	•	•	•																					
Stern Tunnel Kits	589110 - 140TT	•	•																																		
	589310 - 185TT			•	•	•	•	•	•	•	•	•	•	•	•																						
	589510 - 250TT																•	•	•	•	•	•	•	•													
	589710 - 300TT																									•	•	•	•	•	•	•	•	•	•	•	•
Automatic Battery Switch	589034		•	•	•	•	•	•	•	•	•	•	•	•	•		•	•	•						•	•	•										
Power Switch Box	589029 - 12/24v				•		•		•		•		•	•			•		•																		
	589030 - 24/48v																	•									•										
	589031 - 12/24v IP																									•		•									
IP Conversion Kit	589035							•	•		•																										
Anodes	589150 - 140TT	•	•																																		
	589350 - 185TT			•	•	•	•	•	•	•	•	•	•	•	•																						
	589550 - 250/300TT																•	•	•	•	•	•	•	•	•	•	•	•	•	•	•	•	•	•	•	•	
Propellers	589151 - 140TT	•	•																																		
	589351 - 185TT			•	•	•	•	•	•	•	•	•	•	•	•																						
	589551 - 250TT LH																•	•	•	•	•	•	•	•													
	589552 - 250TT RH																•	•	•	•	•	•	•	•													
	589751 - 300TT LH																									•	•	•	•	•	•	•	•	•	•	•	•
589750 - 300TT RH																									•	•	•	•	•	•	•	•	•	•	•	•	
Drive Pins	559018 - 140TT	•	•																																		
	559017 - 185TT			•	•	•	•	•	•	•	•	•	•	•	•																						
Support Brackets	589064 - 185TT			•	•	•	•	•	•	•	•	•	•	•																							
	589066 - 250TT																•	•	•																		
	589065 - 300TT																									•	•	•									



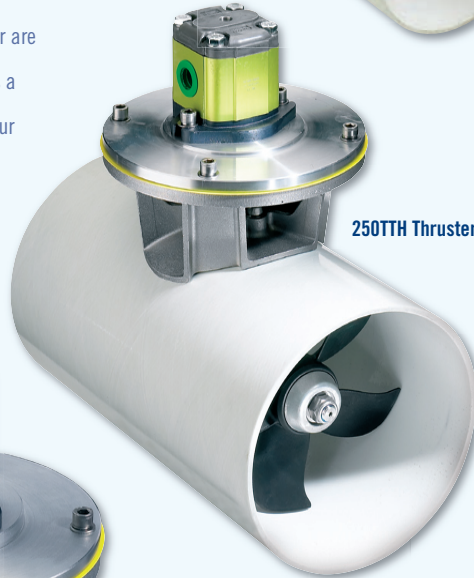
TT Hydraulic Thrusters

When longer duration is required or weight and space are critical, the hydraulic version of the TT Thruster is the ideal solution. TT Hydraulic Thrusters enable significant flexibility of vessel movement. The Hydraulic Thruster increases the thrust over the appropriate D.C. Electric power source version.

The power and performance of a Hydraulic Thruster are dependent on the Hydraulic system. Lewmar offers a complete turnkey Hydraulic solution. Please see your Lewmar representative for more details.



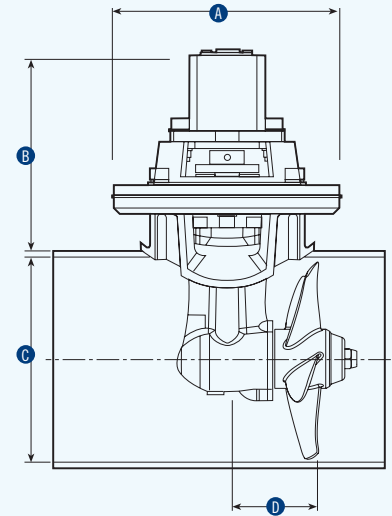
185TTH Thruster



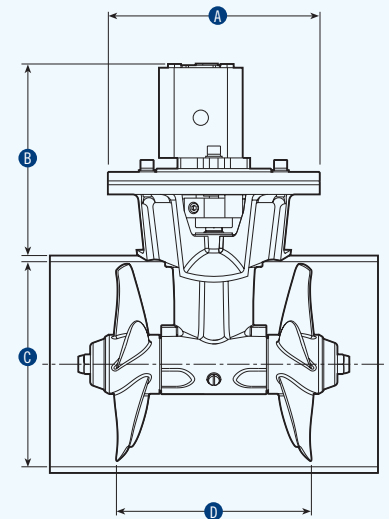
250TTH Thruster



300TTH Thruster



185TTH Thruster Dimensions



250TTH & 300TTH Thruster Dimensions

TT Hydraulic Thruster Selection Guide

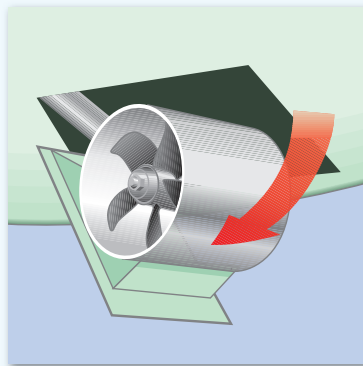
Model	Tunnel	Props	Weight	HP	Kw	A		B		C		D	
						mm	in	mm	in	mm	in	mm	in
185TTH	185mm	Single 5-blade	8kg	10	7	200	7 7/8	202	7 15/16	185	7 3/32	83	3 3/32
250TTH	250mm	Twin CR 5-blade	13kg	20	15	258	10 3/32	234	9 7/32	250	9 27/32	238	9 3/8
300TTH	300mm	Twin CR 5-blade	17kg	30	22.5	258	10 3/32	256	10 1/16	300	11 13/16	320	12 19/32

Custom Range

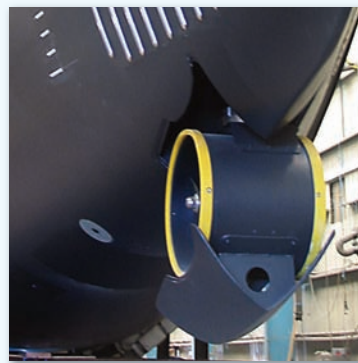
Maneuvering larger vessels in today's busy harbors and marinas can challenge even a skilled crew. Crosswinds and tides can be difficult to overcome with conventional propulsion and steering gear, particularly when 'stern to mooring,' which is becoming a more common practice around the world. Lewmar Thrusters can help provide additional control just when you need it at the touch of a button, or move of a joystick. Lewmar has a range of well-proven thrusters that suit sail or power vessels up to 150ft. Many of our custom Thrusters are available with Bronze or Aluminum legs. Contact Lewmar for details.



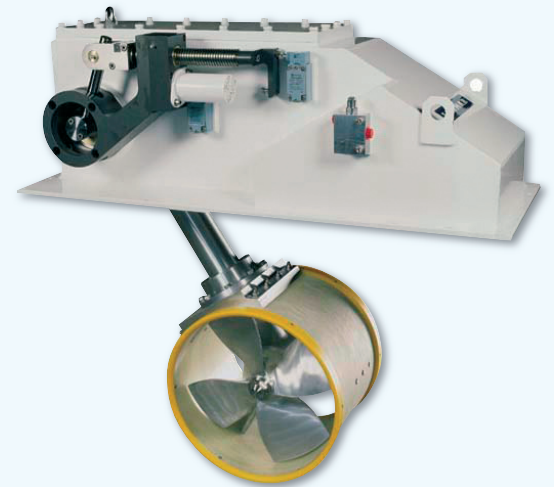
Thruster Range Options



The Swing Retracting Thruster can be mounted farther forward in a vessel with a shallow forefoot or other internal space restrictions.



The Vertical Retracting Thruster offers exceptional performance by deeper immersion and minimized drag by maintaining the hull's shape upon retraction.



Thruster Size Guide

LOA (m)	(9)	(10)	(12)	(15)	(18)	(21)	(24)	(27)	(30)	(33)	(36)	(39)	(42)	(45)	(48)
LOA ft	30	35	40	50	60	70	80	90	100	110	120	130	140	150	160
185 10HP	Control in Strong Wind Conditions	Control in Moderate Wind Conditions	Control in Light Wind Conditions												
250 20HP		Control in Strong Wind Conditions	Control in Moderate Wind Conditions	Control in Light Wind Conditions											
300 30HP			Control in Strong Wind Conditions	Control in Moderate Wind Conditions	Control in Light Wind Conditions										
400 60HP				Control in Strong Wind Conditions	Control in Moderate Wind Conditions	Control in Light Wind Conditions									
500 80HP					Control in Strong Wind Conditions	Control in Moderate Wind Conditions	Control in Light Wind Conditions								
600 100HP						Control in Strong Wind Conditions	Control in Moderate Wind Conditions	Control in Light Wind Conditions							

Key to Guide Chart

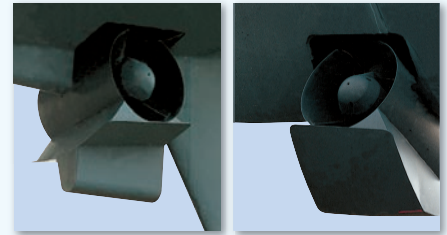
- Control in Strong Wind Conditions
- Control in Moderate Wind Conditions
- Control in Light Wind Conditions

Estimated performance reference guide for vessels of average proportions. If in doubt about specific wind calculations, contact Lewmar.

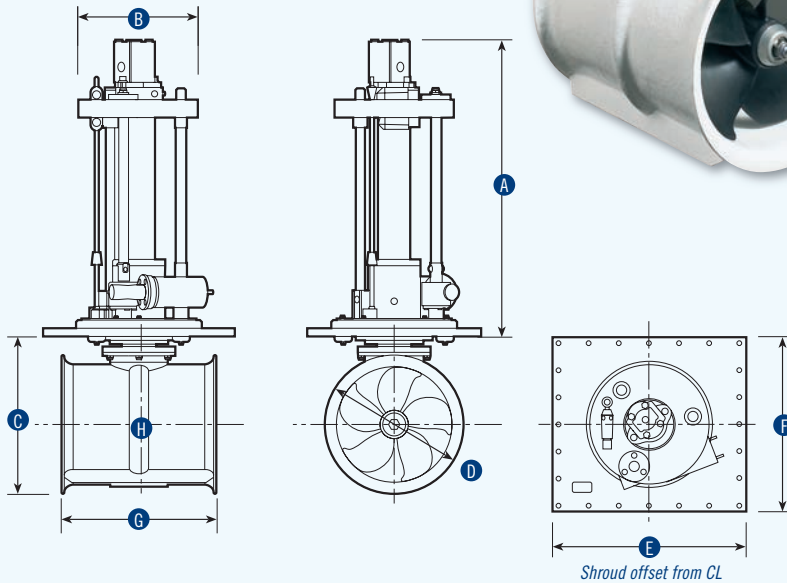


Vertical Retracting Tunnel Thrusters

Lewmar has continued development of its Custom Thruster range since 1983, when we introduced the VRTT series. The VRTT utilizes the advances gained with the successful TT range to produce the most rugged and powerful range of retracting thrusters on the market. The addition of the VRTT range enables Lewmar to supply a Retracting Thruster for vessels from 13m (43ft) up to 45m (150ft). Vertical Retracting Thrusters offer ultimate control without compromising hull performance. When not in use, the Thruster retracts into the hull leaving a clean line, so there is no drag. The 300 VRTT Hydraulic is capable of generating more than 30hp, and Retracting Thrusters not only enable better immersion but can be mounted farther forward. They will give better performance per hp than a standard tunnel thruster. Lewmar understands the importance of pollution control and the environment, so all motors are housed inside the hull to minimize leaks. All the vertical retractors have a manual raise-lower mechanism for use in the event of a power failure or for cleaning and anti-fouling.



Retracting Bow and Stern Thrusters in Lowered Positions



Vertical Retracting Thruster Selection Guide

Model	hp	Typical vessel size	
		m	ft
250VRTTE	10.7	14–20	45–65
250VRTTE	13	14–22	45–71
250VRTTH	20	16–23	48–75
300VRTTH	30	17–27	55–90
400SVTH	30–60	20–37	65–120
500SVTH	60–75	25–43	80–140
600SVTH	75–100	30–50	98–164

For an expert assessment of your vessel's Thruster needs, contact your Lewmar representative.

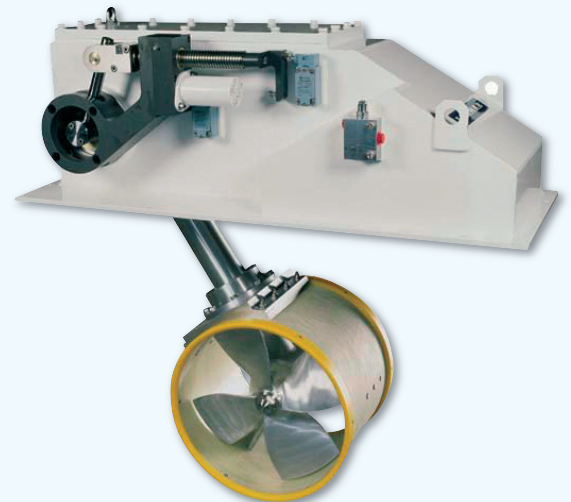
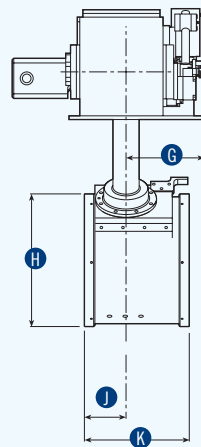
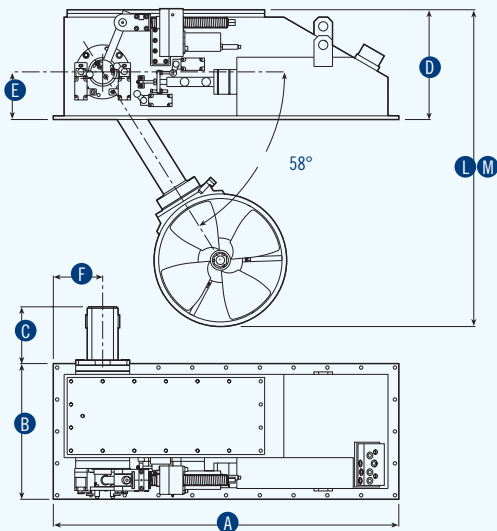
Vertical Retracting Thruster Dimensions

Model	A		B		C		D		E		F		G		H		Standard Stroke	
	mm	in	mm	in	mm	in	mm	in	mm	in	mm	in	mm	in	mm	in	mm	in
250VRTTH	721	28 3/8	310	12 7/32	353	13 7/8	300	11 13/16	450	17 23/32	400	15 3/4	350	13 3/4	0	0	300	11 13/16
250VRTTE	911	35 7/8	310	12 7/32	353	13 7/8	300	11 13/16	450	17 23/32	400	15 3/4	350	13 3/4	0	0	300	11 13/16
300VRTTH	765	30 1/8	310	12 7/32	407	16	360	14 3/16	500	19 11/16	450	17 23/32	400	15 3/4	0	0	350	13 3/4
400SVTH	548	21 9/16	400	15 3/4	533	21	430	16 15/16	580	22 27/32	520	20 15/32	340	13 3/8	30	1 3/16	500	19 11/16
500SVTH	575	22 5/8	400	15 3/4	645	25 3/8	533	21	700	27 9/16	640	25 3/16	480	18 7/8	45	1 25/32	650	25 19/32
600SVTH	795	31 5/16	480	18 29/32	801	31 9/16	650	25 19/32	850	33 15/32	850	33 15/32	550	21 5/8	50	1 31/32	700	27 9/16

Swing Retracting Hydraulic Thrusters

Swing Retracting Thrusters are ideal for higher performance sailing yachts and fast planing or semi-displacement hulls. With the thruster in a raised position, it offers a completely fair hull section causing minimum drag. Lewmar has now introduced a completely new and simple design, which is a logical step forward from the current successful range. This new design is in keeping with Lewmar's environmental concerns and has no hydraulic motors or hoses in the water. Unlike many manufacturers, components are all housed inside the hull, preventing pollution in the event of an oil leak. The Swing Thruster has a lower height than the vertical retracting models, so it can be mounted farther forward in the vessel without additional space intrusion into the forepeak. This means that there will be enhanced thrust performance from a lesser power input, making an extremely efficient unit. The Swing Thruster is raised and lowered using a hydraulic motor that rotates a lead screw. This provides a positive lock in the raised and lowered positions. It also provides a manual override in the event of a power loss, or for cleaning and servicing while hauled out.

The thrust figures have been tested and verified after comprehensive analysis in a 100M laboratory test tank facility. Currently available are the 400 and 500 swing models, but others are being added to the range. Please consult your Lewmar office for details.



Swing Retracting Hydraulic Thruster Selection Guide

Model	Aluminum	hp	Typical vessel size*	Thrust
400 S Swing Retracting Hydraulic Thruster Series	400 SAH	30 hp – 60 hp	20 – 37m (65 – 120 ft)	8-10 kg/kw (18-22 lbs/hp) Note: Actual thrust developed is dependent upon depth of immersion and hull shape.
500 S Swing Retracting Hydraulic Thruster Series	500 SAH	65 hp – 75 hp	25 – 43m (80 – 140 ft)	

* For high windage, heavy displacement vessels please contact your Lewmar representative.

Swing Retracting Hydraulic Thruster Dimensions

Model	A		B		C		D		E		F		G		H		J		K		L		M	
	mm	in	mm	in	mm	in	mm	in	mm	in	mm	in	mm	in	mm	in	mm	in	mm	in	mm	in	mm	in
400 Swing 40HP	1120	44 1/8	440	17 3/16	184	7 1/4	390	15 3/8	154.5	6 1/8	160	6 3/16	255	10 1/8	430	16 15/16	135	5 3/16	340	13 3/8	603	23 3/4	1027	40 7/16
400 Swing 50HP	1120	44 1/8	440	17 3/16	190	7 15/32	390	15 3/8	154.5	6 3/32	160	6 3/16	255	10 1/8	430	16 15/16	135	5 3/16	340	13 3/8	603	23 3/4	1027	40 7/16
400 Swing 60HP	1120	44 1/8	440	17 3/16	196.5	7 3/4	390	15 3/8	154.5	6 3/32	160	6 3/16	255	10 1/8	430	16 15/16	135	5 3/16	340	13 3/8	603	23 3/4	1027	40 7/16
500 Swing	1255	49 1/2	590	23 3/4	116	4 9/16	438	17 1/4	154.5	6 3/32	160	6 3/16	250	9 27/32	545	21 15/32	285	11 1/32	480	18 29/32	680	26 3/4	1200	47 1/4

Distributor List



Argentina

North Sails Sud Argentina

Del Arca 59
1646 San Fernando, Buenos Aires - Argentina
tel: +54 11 4725 0200
fax: +54 11 4746 7561
web: www.northsailsudsudamerica.com



Australia

Barlow Distributors (Australia) Pty Ltd

177 Phillip Street, Redfern NSW, 2016 Australia
tel: + 61 29 318 2128
email: barlow@hotmail.net.au

Harrold Marine Wholesale Pty Ltd

Unit 3/19 Success Street, Acacia Ridge, Brisbane, Queensland, 4110 Australia
tel: +61 73 277 6563
fax: +61 73 277 6567
email: hmw@optusnet.com.au

JPW (Aust) Pty Ltd

Unit 3, 51 Division Street
Welshpool, Western Australia, 6106 Australia
tel: +61 89 351 9266
fax: +61 89 351 9266
email: ghunter@jpwmarine.com.au



Austria

Alltechnik GmbH

Rheinboldtstrasse 11-13
A 2362 Biedermannsdorf
Bei Wien, Austria
tel: +43 2236 6467 60
fax: +43 2236 64676 76
email: office@allroundmarin.com
web: www.allroundmarin.com



Brazil

Sailing Products

Avenida das Americas, 500 BL 11/207 Downtown
Barra, CEP 22640-100
Rio De Janeiro, Brazil
tel: +55 2131549990
fax: +55 2124947223
email: sailing@sailing.com.br
web: www.sailing.com.br



Bulgaria

Yacht Shop Bulgaria (Transcommerce)

Passenger Terminal, 2 Floor
Port Varna, Bulgaria
tel: +359 52 69 22 99
email: info@LYyachting.com
web: www.LZyachting.com



Canada

Payne's Marine Group

2120 Quadra Street
Victoria, BC V8T 4B9, Canada
tel: +250 382 7722
fax: +250 382 4043
email: sales@paynesmarine.com
web: www.paynesmarine.com

Payne's Marine Group

2360 Industrial Street
Burlington, Ontario L7P 1A1, Canada
tel: +905 332 8291
fax: +905 332 0557
email: sales@paynesmarine.com
web: www.paynesmarine.com



Canary Islands

Rolnautic S.L.

Calla Cuzco No 8, El Cebadal
Las Pamas De Grand Canarias 35008, Canary Islands
tel: +34 928296811
fax: +34 9282300344
email: jcrodriguez@rolnautic.com



Chile

Winnacorp LTDA

Tobalaba 1781, Providencia, Santiago, Chile
tel: +011 56 221 26494
fax: +011 56 224 67168



Croatia

Maritima d.o.o.

Put Sepurine 1
22203 Rogoznica, Croatia
tel: +385 (0) 22 558 130
fax: +385 (0) 22 558 131
email: info@nautical-equipment.com
web: www.nautical-equipment.com



Czech Republic

Avar Yacht

Areál ZD Veverske Kninice
664 81 Ostrovacice, Czech Republic
tel: +420 546 428015
fax: +420 546 428075
email: yacht@avaryacht.cz
web: www.avaryacht.cz



Denmark

Selden Mast A/S

Bakkegardsvej 406
DK-3050 Humlebaek, Denmark
tel: +45 39 18 44 00
fax: +45 39 27 17 00
email: info@seldenmast.dk
web: www.seldenmast.dk



Finland

Oy Maritim

P.O. Box 46, Veneentekijäntie 1
Helsinki 210, Finland
tel: +358 (0)207 65180
fax: +358 (0)207 652942
email: maritim@maritim.fi
web: www.maritim.fi



France

Accastillage Bernard

880 Avenue St Exuperie, 6210, Mandelieu, France
tel: +33 4 93 90 47 47
fax: +33 4 93 90 47 53
email: contact@accastillage-bernard.fr
web: www.accastillage-bernard.com

Technique Distribution

Z.A. De Kermaquer, 56470, La Trinité Sur Mer, France
tel: +33 297557256
fax: +33 297557258
email: contact@technique-greement.com



Germany

Lankhorst/Hohorst GmbH

Bonifatiusstrasse 411, D 48432 Rheine, Germany
tel: +49 59 719707
fax: +49 59 716064
email: info@lankhorst-hohorst.de
web: www.lankhorst-hohorst.de



Gibraltar

M Sheppard & Co Ltd

Waterport Wharf, PO Box 899, Gibraltar
tel: +350 75148
fax: +350 42535
email: admin@sheppard.gi
web: www.sheppard.gi



Greece

Nautilus Ltd

Posidonos Av 33/, Metamorfoseos Str 2, Alimos
Athens 17455, Greece
tel: +30 210 9854238
fax: +30 210 9849 444
email: info@nautilus.gr
web: www.nautilus.gr



Hong Kong

Piercey Marine

93 Che Keng Tuk Road, Sai Kung, Hong Kong
tel: +(852) 27914106
fax: +(852) 27914124
email: pmltd@netnavigator.com



Hungary

Hullam 04 KFT

8220 Balatonalmadi, Füzfői ut 9, Hungary
Tel +36 88 432 897
Fax +36 88 432 897
info@fukeyacht.hu
www.fukeyacht.hu



Ireland

Western Marine

Bulloch Harbour, Dalkey
Co Dublin, Ireland
tel: +353 01 2800321
fax: +353 01 2800327
email: marine@iol.ie

Distributor List



Israel

Atlantis Marine Ltd

147, Kikar Atarim, 169 Hayarkon Street
Tel Aviv, 63453, Israel
tel: +972 3 522 7978
fax: +972 3 523 5150
email: atlantis@inter.net.il
web: www.atlantis-marine.co.il



Italy

Osculati Spa

via Pacinotti, 12
20090 Segrate (Milano), Italy
tel: +39 02 2699 111
fax: +39 02 26991120
email: info@osculati.it
web: www.osculati.com



Japan

ISCO/Industrial Suppliers Co Ltd SA

NAC Minato Building 2F
2-1-24 Kaigan, Minato-ku, Tokyo, 105-0022, Japan
tel: +81 3 5443 8231/8234
fax: +81 3 5443 8240/8241
email: sales@isco.co.jp
web: www.isco.co.jp

Nakamura Sengu Kogyo Co Ltd

6-15 Nagata-Higashi 3 Chome
Minami-Ku, Yokohama, 232, Japan
tel: +81 4 5713 5481
fax: +81 4 5713 8373
email: nakasen@marinevance.com



Kuwait

Seas & Deserts

Amiry Trade Centre, Shuwaikh Bank Street
PO Box 110, Safat 13002, Kuwait
tel: +965 4 849 212
fax: +965 4 845 346
email: sales@seadesert.com
web: www.seadesert.com



Malta

Gauci Borda & Co Ltd

53 Msida Road, Gzira, GZR 03, Malta
tel: +356 21313758
fax: +356 2134 3604
email: info@gauciborda.com
web: www.gauciborda.com



Martinique

Caraibes Greement

Boulevard Allegre
97290 Le Marin, Martinique
tel: +596 74 80 33
fax: +596 74 66 98
email: cgmar@wanadoo.fr



Netherlands

Lankhorst Taselaar Bv

Binnenhavenweg 31. 8211 AA
Lelystad, Netherlands
tel: +31 320 274611
fax: +31 320 231912
email: info@lankhorst-taselaar.nl
web: www.lankhorsttaselaar.nl



New Zealand

Kiwi Yachting Consultants Ltd

15 Westmoreland St West, Grey Lynn
Auckland, New Zealand
tel: +64 (0)9 360 0300
fax: +64 (0)9 360 0302
email: sales@kiwiyachting.co.nz
web: www.kiwiyachting.co.NZ



Norway

Leif H Strom A/S

Hasleveien 15, N-0571, Oslo, Norway
tel: +47 23 23 39 70
fax: +47 23 23 39 71
email: mail@stroem.no
web: www.stroem.No



Poland

Aura

Ul Przerzenna 13, 70-800 Szczecin, Poland
tel: +48 91 4613992
fax: +48 91 4613741
email: michal@aura.szczecin.pl
web: www.aura.szczecin.pl



Portugal

Grupo Euronete

Lugar do Rio, Nogueira da Maia
PO Box 1029, 4471-909 Maia, Portugal
tel: +351 229619200
fax: +351 229605757



Russia

000 Moreman

19, building 2
Gamalei street Moscow, 123098, Russia
tel: +7 495 1013362
fax: +7 499 1937111
email: info@moreman.ru
web: www.moreman.ru



Singapore

Alquest Marketing

66, Tannery Lane, #02-06B Sindo Building
347805, Singapore
tel: +65 6749 9359
fax: +65 6749 9360
email: jason@alquest.com.sg
web: www.alquest.com.sg



Slovenia

Seawave Marine D.O.O

Alpska Cesta 0043, 4248 Lesce, Slovenia
tel: +386 (0)4 5302 444
fax: +386 (0)4 5302 440
email: info@seawave-marine.si
web: www.seawave-marine.si



South Africa

Central Boating

85 Bree Street
Cape Town, 8001, South Africa
tel: +27 21 424 8026
fax: +27 21 424 2564
email: info@centralboating.co.za
web: www.centralboating.co.za



Spain

Acastillaje Synera SL

Passeig Joan de Borbós, 92, 08039
Barcelona, Spain
tel: +34 93 225 49 34
fax: +34 93 225 19 49
email: info@sinerarigging.com
web: www.sinerarigging.com



Sweden

Navship AB

Box 37, SE-427 21 Billdal, Sweden
tel: +46 31 93 96 00
fax: +46 31 91 45 56
email: info@navship.se
web: www.navship.se



Switzerland

Bucher + Walt SA

Route de Soleure 8, CH 2072 St Blaise, Switzerland
tel: +41 327 559500
fax: +41 327 559530
email: info@bucher-walt.ch
web: www.bucher-walt.ch



Taiwan

Marineware

2fl, No.172, Section 1 Ling Mi Road, Pali Shiang 249,
Taipei County, Taiwan
tel: +886 22618 8342



Thailand

Phuketsail

3/2-4 Moo 5, Koh Keaw, Phuket City,
Phuket, 83200, Thailand
tel: +66 76 377542
fax: +66 76 238494
email: ecommerce@phuleksail.com
web: www.phuketsail.com

Distributor List



Turkey

Kaptan Denizcilik Ticaret A.S.

Ahmet Mithat Efendi Cad 13/1,81030 Kalamis
Istanbul, Turkey

tel: +90 216 337 2000

fax: +90 216 348 2999

email: info@kaptandenizcilik.com

web: www.kaptandenizcilik.com



United Arab Emirates

Delma Industrial Supply & Marine Service

P.O. Box 53382

Abu Dhabi, UAE

tel: +971 2 6668153

fax: +971 2 6668154

email: disms@emirates.net.ae

Duboats Trading Llc

PO Box 53793

City Tower 2 Sheikh Zayed Road,
10th Floor, Office 1002

Dubai, UAE

tel: +971 04 332 7771

fax: +971 04 332 2456

email: c.vanek@duboats.com



United Kingdom

Bainbridge International Ltd

8 Flanders Park, Hedge End
Southampton, Hampshire, SO30 2FZ

tel: +44 (0)1489 776000

fax: +44 (0)1489 776048

email: info@bainbridgeint.co.uk

web: www.bainbridgeint.com

Whitlock South

17 Hollybank Lane,
Emsworth Hants, PO10 7UD

tel: +44 (0) 1243 430050

email: enquiries@winchservicing.com

web: www.winchservicing.com



USA

Lewmar

351 New Whitfield Street, Guilford, CT, 06437, USA

tel: +1 203 458 6200

fax: +1 203 453 5669

email: info@lewmarusa.com

For a complete list US distributors please visit:

<http://www.lewmar.com/usa/distributors.htm>



Venezuela

Intermarine

AV Intecomunal De Guatire

Cruse Con C, La Arenera, Venezuela

tel: +58 0212 344 16 77

fax: +58 0212 344 14 23

web: www.intermarine.com.ve

Caribbean

Antigua Rigging

Falmouth Harbor, Antigua

tel: +268 562 1294

fax: +268 463 8575

email: info@antiguarigging.com

web: www.antiguarigging.com

Budget Marine

Western Main Road, Chaguaramas, Trinidad

tel: +1 904-477-8011

email: sales@budmar.an

web: www.budmar.an

Caraibes Greement

2 Porte de la Marina, 97110 Pointe A Pitre

Guadeloupe, Guadeloupe

tel: +590 908201

fax: +590 909750

email: caraibe.greement@wanadoo.fr

FKG Marine Rigging & Fabrication NV

Postal Address: PO Box 5011, Philipsburg, St Maarten

Physical Address: 37 Wellington Road, Cole Bay,

St. Maarten, Netherlands Antille

tel: +599 544 4733

mobile: +599 557 8502

fax: +599 544 2171

email: info@fkg-marine-rigging.com

web: www.fkg-marine-rigging.com

Island Rigging and Hydraulics

8186 Sub Base Road, Suite 4

St. Thomas, USVI, 00802

tel: 011-340-774-6833

fax: 011-340-774-5024

email: islrig@viaccess.net

Martinez Marine Service

Puerto del Rey Marina Suite #103

Highway #3, Km 51.4

Fajardo, PR, 00738

tel: (787) 863-4646

fax: (787) 272-8172

web: www.martinezmachine.com



Part Number List

0034021210	18	19701600	99	29145302	76	29315369	155	29432312	166	29471027	172	29901412	139
0034021212	18	19810600	135	29145311	76	29316139	155	29432315	166	29471030	171	29901420	139
0034021214	18	19811000	158	29145312	76	29316339	155	29432316	166	29471031	171	29901421	138
0034022210	18	19820600	135	29160112	165	29316369	155	29432372	166	29471032	171	29901421	139
0034022212	18	19821000	158	29160310	162	29316749	155	29432400	166	29471035	171	29901422	138
0034022214	18	19830500	135	29160315	162	29317139	155	29432411	168	29471036	171	29901422	139
0036022212	18	19850500	135	29160410	163	29317659	155	29432411	166	29471037	171	29901423	139
0036022214	18	19861100	156	29160415	163	29317849	155	29432412	166	29471041	172	29901424	139
0036022216	18	19899000	70	29160420	163	29318139	155	29432415	166	29471042	172	29901425	139
0052505	91	19899100	70	29161110	162	29319139	155	29432416	168	29471063	172	29901426	138
0052505	25	19899200	70	29161115	162	29319949	155	29432416	166	29471063	172	29901426	139
0052505	91	19899300	70	29161120	162	29324033	154	29432420	168	29471836	171	29901428	139
0052506	25	19899400	70	29161130	162	29330105	164	29432424	167	29472010	172	29901429	139
0052509	25	19899500	70	29161310	162	29330107	164	29432426	167	29472012	172	29901430	139
0052519	25	19899600	70	29161315	162	29333245	164	29432500	168	29472015	172	29901441	138
0052529	25	28003225	172	29161320	162	29333246	174	29432500	167	29472018	172	29901441	139
0052530	25	28003226	172	29161410	163	29333247	174	29432511	168	29472020	172	29901447	138
0052531	25	28003642	150	29161415	163	29333248	174	29432512	168	29472027	172	29901447	139
0056205	29	29020701	164	29161420	163	29333250	174	29432814	168	29472030	171	29901448	139
0056206	29	29030100	164	29161430	163	29333269	174	29432814	167	29472031	171	29901449	139
0056207	29	29030600	164	29161510	162	29334134	181	29432816	167	29472032	171	29901460	138
0056208	29	29034509	181	29161515	162	29347029	181	29432822	168	29472035	171	29901463	139
0056209	29	29034709	181	29161520	162	29347030	181	29432822	167	29472036	171	29901600	142
0056210	29	29040100	164	29162110	162	29383119	154	29432823	168	29472037	171	29901611	142
0056211	29	29040600	164	29162115	162	29384139	156	29432823	167	29472038	172	29901612	142
0056503	29	29041700	177	29162120	162	29384169	156	29432832	167	29472041	172	29901613	142
0056504	29	29042700	177	29162130	162	29385139	156	29432833	168	29472042	172	29901614	142
0056505	29	29042704	177	2916 2310	162	29385169	156	29432833	167	29472062	172	29901615	142
0056506	29	29043702	177	29162315	162	29386139	156	29432836	167	29472063	172	29901624	143
0056507	29	29044829	181	29162320	162	29386149	156	29432838	168	29472064	172	29901631	143
0056508	29	29044869	181	29162410	163	29386169	156	29432838	167	29472076	171	29901634	143
0056509	29	29060152	165	29162415	163	29387139	156	29432916	167	29472501	171	29901639	143
0056510	29	29101108	124	29162420	163	29387169	156	29433300	175	29472535	171	29901647	143
0056511	29	29101110	124	29162430	163	29388139	156	29433300	174	29472601	173	29901651	140
0056513	29	29101112	124	29162510	162	29388169	156	29433314	175	29472616	171	29901652	140
0056515	29	29101208	124	29162515	162	29389139	156	29433314	174	29472836	171	29901653	140
0056530	29	29101210	124	29162610	163	29389169	156	29433383	175	29472970	154	29901654	140
0056540	29	29101212	124	29162620	163	29390013	156	29433400	174	29473024	176	29901655	140
0056550	29	29101308	125	29162630	163	29390014	156	29433414	175	29473030	176	29901656	140
0056560	29	29101310	125	29163310	162	29393000	158	29433414	174	29473032	176	29901659	140
0056570	28	29101312	125	29163315	162	29394016	156	29433416	175	29473035	176	29901660	140
0057306	28	29101410	125	29163320	162	29394052	156	29433416	175	29473036	176	29901661	140
0057310	28	29101412	125	29163330	162	29394054	156	29433602	174	29473037	176	29901665	140
0057316	28	29101414	125	29163610	163	29396019	156	29433602	174	29473037C	176	29901667	140
0057320	28	29101501	125	29163615	163	29396050	156	29433682	174	29473040	176	29901668	140
0057325	28	29102410	125	29163620	163	29396051	156	29433683	174	29473041	176	29901670	140
0057332	28	29102412	125	29163630	163	29396052	156	29433832	174	29473063	176	29901677	140
0057340	28	29102414	125	29166215	163	29396053	156	29433833	174	29473135	176	29901807	144
0057350	28	29103410	125	29166225	163	29396054	156	29441301	170	29473136	176	29901811	144
0057363	28	29103412	125	29166230	163	29396055	156	29441311	170	29483037C	176	29901812	144
0057404	28	29103414	125	29170022	178	29396056	156	29441311	170	29900010	178	29901813	144
0057406	28	29104100	128	29170026	178	29397013	156	29441312	170	29900011	178	29901814	144
0057410	28	29104100	128	29170030	164	29399013	156	29441322	170	29900012	178	29901815	144
0057416	28	29104101	128	29170033	164	29399052	156	29441331	170	29900013	178	29901816	144
0057420	28	29104103	128	29170040	164	29399054	156	29441332	170	29900014	178	29901821	146
0057425	28	29104104	128	29170040	165	29421300	167	29441332	170	29900015	178	29901822	145
0057432	28	29104110	128	29170041	164	29421366	170	29441345	170	29900016	178	29901824	145
0057440	28	29104113	128	29170046	178	29421400	167	29441500	170	29900017	178	29901825	146
0057450	28	29104114	128	29170046	178	29421400	166	29441513	170	29900240	138	29901825	146
0057454	28	29104115	128	29171010	165	29422300	167	29441701	171	29900240	138	29901828	146
0057901	30	29104116	128	29171020	178	29422300	166	29441720	170	29901107	147	29901829	146
0057902	30	29111000	159	29171021	178	29422400	167	29441723	170	29901137	147	29901830	146
0057905	30	29113000	159	29171022	178	29422400	166	29441730	170	29901157	147	29901831	145
0057907	30	29139102	126	29171021	178	29423301	175	29442301	170	29901170	148	29901831	145
0057910	30	29139103	126	29171046	178	29423301	174	29442311	170	29901171	148	29901834	145
0057915	30	29139104	126	29172015	177	29423302	174	29442312	170	29901174	148	29901839	145
0057920	30	29139105	126	29172016	177	29423400	174	29442321	170	29901201	148	29902024	138
0057930	30	29139106	126	29172020	178	29423900	174	29442322	170	29901204	148	29902034	138
0057950	30	29139112	126	29172021	178	29431300	167	29442331	170	29901221	148	29902035	138
0057980	178	29139113	126	29172026	178	29431300	166	29442332	170	29901224	148	29902061	154
0058901	30	29139114	126	29172027	154	29431311	167	29442345	170	29901251	148	29902100	152
0058902	30	29139115	126	29172040	172	29431311	166	29442412	168	29901254	148	29902101	152
0058905	30	29139116	126	29172044	178	29431312	167	29442500	170	29901301	138	29902108	153
0058907	30	29140001	76	29172046	178	29431312	166	29442700	170	29901311	138	29902109	153
0058910	30	29140002	76	29172117	177	29431315	166	29442701	170	29901314	139	29902131	152
0058915	30	29140003	76	29173020	178	29431316	166	29442705	177	29901314	138	29902138	153
0058920	30	29140005	76	29173021	178	29431337	168	29442720	177	29901320	138	29902139	153
0058930	30	29140011	75	29173026	178	29431337	166	29442730	177	29901321	138	29902151	152
18000200	25	29140012	75	29173027	154	29431400	167	29442730	177	29901322	138	29902158	153
18000237	25	29140013	75	29173040	176	29431400	166	29443310	175	29901323	139	29902159	153
18000254	21	29140015	75	29173044	178	29431411	168	29443310	175	29901323	138	29902178	153
18000301	91	29140016	75	29173046	178	29431411	166	29443311	175	29901324	139	29902179	

29904042	143	29921059	133	29946131	151	39670070	52	48077209	87	49058000	85	589006	38
29904043	140	29924061	134	29946132	151	39677050	52	89300053	223	49058001	85	589006	40
29904043	143	29924062	134	29946611	151	39677070	52	49006010	81	49058002	85	589007	40
29904046	138	29925001	131	29946612	151	39900030	48	19006100	81	49058003	85	589008	40
29904046	139	29925002	131	29946801	151	39903030	48	19006190	81	49058004	85	589008	40
29904046	158	29925003	131	29946802	151	39910030	48	49007030	81	49058019	85	589009	40
29904050	158	29925004	131	30067300	48	399100303	48	49007031	81	49058040	109	589009	40
29904053	158	29925004	131	30069900	55	39918030	48	49007032	81	49058100	97	589010	40
29904054	158	29925005	131	30074000	55	39922030	48	49008030	81	49058101	97	589011	40
29904060	158	29925009	131	30133000	64	39930020	50	49008031	81	49058104	97	589012	40
29904100	128	29925010	131	30157900	58	39930030	48	49008032	81	49058103	97	589013	38
29904101	128	29925021	133	30158000	58	399300303	48	49014000	82	49058102	97	589013	40
29904104	128	29925021	131	30158100	58	39940020	50	49014001	82	49058200	86	589015	40
29904105	128	29925031	131	30158200	58	39940030	48	49016000	82	49058201	86	589016	40
29904111	128	29925034	131	30158300	59	399400303	48	49016001	82	49060000	107	589017	40
29904114	128	29925037	131	30158400	59	39941030	48	49016019	82	49060009	107	589018	40
29904115	128	29925039	131	30158500	59	39944020	50	49016002	82	49060014	109	589019	40
29904117	128	29925040	159	30160000	55	39944030	48	49016003	82	49062040	109	589020	40
29904118	128	29925050	159	30162600	58	399440303	48	49016030	81	49065000	85	589021	40
29904118	128	29926001	131	30162700	58	39950020	50	49016031	81	49065001	85	589025	40
29904126	128	29926002	131	30162800	58	39950030	48	49016032	81	49065002	85	589029	41
29905105	172	29926003	131	30162900	58	399500303	48	49030000	82	49065003	85	589030	41
29905200	172	29926004	131	30163000	59	39951030	48	49030001	82	49065004	85	589031	41
29905400	179	29926005	131	30163100	59	39954020	50	49030002	82	49065019	85	589034	41
29905401	179	29926010	131	30163200	59	39954030	48	49030003	82	49065100	97	589035	41
29905410	128	29926021	133	360259990	60	399540303	48	49030019	82	49065101	97	589064	41
29905412	179	29926021	131	360918999	60	39960020	50	49030030	81	49065102	97	589065	41
29905412	128	29926029	131	361041990	60	39960030	48	49040030	81	49065103	97	589066	41
29905414	179	29926031	131	361042992	60	399600303	48	49040040	109	49065104	97	589069	40
29906171	151	29926034	131	361196992	60	39965030	48	49040055	82	49065200	86	589070	40
29906172	151	29926037	131	361196995	60	39970020	50	49040056	82	49065201	86	589071	40
29906251	151	29926039	131	367110916	70	39977020	50	49040057	82	49066000	85	589072	40
29906252	151	29926040	159	367110936	70	40000899	109	49040058	82	49066001	85	589073	40
29906452	127	29926050	159	367130916	70	40000900	109	49040059	82	49066002	85	589074	40
29906453	127	29926061	134	367130936	70	40000901	109	49040060	82	49066003	85	589075	40
29906453	127	29926064	134	367132916	70	40002729	109	49040061	86	49066004	85	589076	40
29906454	127	29927201	132	367132936	70	40002731	109	49040062	86	49066005	85	589101	40
29906455	127	29927202	132	367140916	70	40002741	109	49044005	81	49066006	85	589102	40
29906456	127	29927203	132	367140936	70	40004751	109	49044007	81	49066008	85	589103	40
29906457	127	29927204	132	367160916	70	40004751	85	49044008	81	49066009	85	589110	41
29906458	127	29927205	132	367160936	70	40005066	107	49044014	109	49066019	85	589150	41
29906601	150	29927210	132	367302916	70	45005199	92	49044019	83	49068001	107	589151	41
29906602	150	29927221	133	367302936	70	48000022	89	49044040	109	49068002	107	589300	40
29906604	150	29927221	132	367302966	70	48000023	89	49046055	83	49068021	107	589301	40
29906605	150	29927231	132	367312916	70	48000075	89	49046056	83	49068100	97	589302	40
29906606	150	29927234	132	367312936	70	48000076	89	49046057	83	49068101	97	589303	40
29906607	150	29927237	132	367312966	70	48000077	89	49046058	83	49068102	97	589310	41
29906621	150	29927239	132	367318916	70	48000078	89	49046059	83	49068103	97	589320	41
29906622	150	29927240	159	367318936	70	48000081	91	49046060	83	49068104	97	589321	41
29906652	127	29927250	159	367318966	70	48000082	91	49046155	95	49068105	97	589350	41
29906653	127	29927261	134	367322916	70	48000083	91	49046156	95	49068106	97	589351	41
29906654	127	29927264	134	367322936	70	48000084	91	49046158	95	49068108	97	589501	40
29906654	127	29929001	132	367332916	70	48000085	91	49046159	95	49068109	97	589502	40
29906655	127	29929002	132	367332936	70	48000086	91	49046160	95	49077000	85	589503	40
29906656	127	29929002	132	367342916	70	48000087	91	490462551	86	49077001	85	589510	41
29906811	150	29929003	132	367342936	70	48000088	91	490462561	86	49077003	85	589550	41
29906812	150	29929004	132	367344936	70	48000089	91	49048014	109	49077004	85	589551	41
29906814	150	29929021	133	367346936	70	48000090	91	49048040	109	49077005	85	589552	41
29906815	150	29929031	132	367352916	70	48000091	91	49048055	83	49077006	85	589700	40
29906816	150	29929034	132	367352936	70	48000092	91	49048056	83	49077008	85	589701	40
29906817	150	29929034	132	367378916	70	48000093	91	49048057	83	49077009	85	589702	40
29906821	150	29929039	132	367378936	70	48000094	91	49048058	83	49077035	109	589703	40
29906822	150	29929040	159	367378966	70	48000116	89	49048059	83	49077100	97	589710	41
29911089	157	29929050	159	367382966	70	48000117	89	49048060	83	49077101	97	589750	41
29911091	157	29929061	134	39110090	68	48000170	92	49048155	95	49077103	97	589751	41
29911091	157	29929064	134	39110070	68	48000170	25	49048156	95	49077104	97	591401	37
29911098	157	29941100	147	39130090	68	48040055	93	49048158	95	49077105	97	591402	37
29911120	157	29941101	147	39130070	68	48040255	87	49048159	95	49077106	97	591801	37
29911121	157	29941102	147	39132090	68	48046055	93	49048160	95	49077108	97	591802	37
29911123	157	29941104	147	39132070	68	48046255	87	490482551	86	49077109	97	591803	37
29911131	157	29941130	147	39140090	68	48048055	93	490482561	86	49082000	107	591804	37
29912056	154	29941131	147	39140070	68	48048255	87	49050000	83	49088004	85	591805	37
29912057	154	29941134	147	39160090	68	48050055	93	49050001	83	49088009	85	591806	37
29912058	154	29941150	147	39160070	68	48050200	87	49050002	83	49088104	97	591807	37
29912059	154	29941151	147	393020262	64	48050203	87	49050003	83	49088109	97	591808	37
29912060	154	29941154	147	393010262	64	48054055	93	49050004	83	49088214	86	591833	37
29912074	154	29941600	142	393120262	64	48054200	87	49050014	109	49095001	107	591834	37
29912084	154	29941611	142	393110262	64	48058055	93	49050019	83	49095004	107	591836	37
29912088	157	29941612	142	393170262	64	48058200	87	49050040	109	49099000	107	592501	37
29912092	154	29941613	142	393180262	64	48065055	87	49050100	95	49099009	107	592502	37
29912095	154	29941614	142	39333268	174	48065200	87	49050101	95	49105002	107	592503	37
29912097	154	29941615	142	39333281	64	48065201	87	49050102	95	49105006	107	593001	37
29912104	154	29941800	144	393770262	64	48065204	87	49050103	95	49111004	85	593002	37
29912108	154	29941801	144	393810862	64	48065203	87	49050104	95	49111009	85	593003	37
29912110	154	29941802	144	39610050	52	480							

6656411197-102	9	66910088-143	17	68000593	25	89100078	205	89400034	194	89600383	231	89700298	186
6656411198-102	9	66910089-143	17	68000595	25	89100079	205	89400035	194	89600384	231	89700299	186
6656811196-303	5	66910090-144	17	68000596	25	89100080	205	89400036	194	89600385	231	89700300	186
6656811197-303	5	66910091-144	17	68000599	25	89100090	205	89400045	195	89600386	231	89700301	186
6657011108-102	7	66910092-144	17	68000602	25	89100091	205	89400046	195	89600387	231	89700302	186
6657011196-102	7	66910093-144	17	68000603	25	89100092	205	89400047	195	89600388	231	89700308	186
6657011197-102	7	66910094-146	17	68000604	25	89100093	205	89400048	193	89600389	231	89700309	186
6657011198-102	7	66910095-146	17	68000627	25	89100094	205	89400084	194	89600453-89600462	232	89700310	186
6670011107	13	66910100-146	17	68000628	25	89100095	205	89400100	196	89600463-89600472	232	89700311	186
6670011196	13	66910101-146	17	68000640	15	89100096	205	89400109	193	89600473-89600482	232	89700312	186
6670011197	13	66910106-146	17	68000644	25	89100098	207	89400109	194	89600483-89600492	232	89700313	186
6671011107-138	15	66910107-146	17	68000845	25	89100099	207	89400117	193	89600493-89600502	232	89700344	188
6671011108-138	15	66910108-146	17	68000845	25	89100100	207	89400118	198	89600503-89600512	232	89700345	188
6671011196-138	15	66910109-146	17	68000847	27	89100111	209	89400120	194	89600513-89600522	232	89700346	188
6671011197-138	15	66910200	23	68000846	27	89100112	209	89400122	194	89600523-89600532	232	89700347	188
6671011198-138	15	66910201	23	69000331	31	89100113	209	89400123	194	89600533-89600542	232	89700348	188
6671011698-138	15	66910202	23	69000332	31	89100114	209	89400125	194	89600543-89600552	232	89700354	188
6671011697-138	15	66910203	23	69000333	31	89100115	209	89400133	193	89600553	232	89700355	188
6671011698-138	15	68000015	20	69000334	31	89100116	205	89400136	193	89601000	230	89700356	188
6672011108-138	15	68000016	20	69000335	31	8910143	185	89400137	193	89601001	230	89700357	188
6672012108-138	15	68000017	21	69000336	31	89100143	186	89400146	193	89601002	230	89700358	188
6672011110-138	15	68000017	20	69000337	31	89100144	186	89400192	198	89601003	230	89700375	185
6672021110-138	15	68000023	19	69000338	31	89100144	187	89400196	193	89601004	230	89700376	185
6672011196-138	15	68000024	19	69000339	31	89100160	223	89400200	197	89601005	230	89700377	185
6672021196-138	15	68000027	21	69000340	31	89100196	208	89400203	197	89601006-89601015	231	89700383	187
6672011197-138	15	68000037	19	69000341	31	89100401	205	89400204	197	89601016-89601025	231	89700406	185
6672021197-138	15	68000043	21	69000342	31	89100403	205	89400205	197	89601026-89601035	231	89700407	185
6672011198-138	15	68000049	20	69000343	31	89100405	205	89400206	197	89601036-89601045	231	89700408	185
6672021198-138	15	68000094	22	69000344	31	89100407	205	89400218	196	89601046-89601055	231	89700410	187
6672012108-140	15	68000099	21	69000345	92	89100409	205	89400222	197	89601077-89601086	232	89700411	187
6672022108-140	15	68000099	22	69000346	92	89100411	205	89400223	197	89601087-89601096	232	89700412	187
6672012110-140	15	68000112	22	69000346	25	89100413	205	89400224	197	89601097-89601106	232	89700413	187
6672022110-140	15	68000113	22	69000350	92	89100415	205	89400274	197	89601107-89601116	232	89700414	187
6672012196-140	15	68000114	21	69000353	10	89100569	208	89400283	198	89601117-89601126	232	89700415	187
6672022196-140	15	68000115	21	69600533	10	89100750	206	89400284	198	89601127-89601136	232	89700416	187
6672012197-140	15	68000116	22	69600534	10	89200032	220	89400285	198	89601137-89601146	232	89700417	187
6672022197-140	15	68000117	22	69600535	10	89200034	219	89400286	198	89601147-89601156	232	89700431	186
6672012198-140	15	68000123	22	69600536	10	89200035	219	89400291	199	89601157-89601166	232	89700432	186
6672022198-140	15	68000129	25	69600537	10	89200037	220	89400298	194	89601167-89601176	232	89700451	187
6672211108-139	15	68000130	25	69600538	10	89200040	219	89400299	194	89601177	232	89700520	185
6672221108-139	15	68000164	22	69600539	10	89200041	220	89400300	194	89700011	186	89700521	185
6672211110-139	15	68000173	21	69600540	10	89200046	220	89400327	188	89700012	186	89700571	187
6672221110-139	15	68000173	22	69600541	10	89200048	221	89400328	197	89700024	186	89700581	187
6672211196-139	15	68000174	21	69600542	10	89200048	220	89400329	196	89700025	186	89700591	187
6672221196-139	15	68000174	22	69600543	10	89200050	221	89400330	196	89700037	186	89700601	187
6672211197-139	15	68000211	22	69600544	10	89200050	220	89400355	196	89700038	186	89700602	187
6672221197-139	15	68000217	22	69600545	10	89200052	221	89400356	196	89700050	186	89700603	187
6672211198-139	15	68000239	92	69600546	10	89200057	217	89400361	195	89700051	186	89700604	187
6672221198-139	15	68000240	25	69600547	10	89201637	220	89400362	195	89700063	186	89700605	187
6672212108-142	15	68000278	22	69600548	10	89300000	227	89400363	195	89700064	186	89700607	187
6672222108-142	15	68000294	24	69600556	23	89300002	227	89400365	198	89700076	186	89700646	186
6672212110-142	15	68000294	17	69600557	23	89300003	223	89400371	197	89700077	186	89800108	187
6672222110-142	15	68000295	22	69000597	25	89300004	227	89400372	197	89700078	186	89900010	190
6672212196-142	15	68000296	22	82000356	214	89300008	227	89400409	198	89700079	186	89900011	190
6672222196-142	15	68000318	25	82000357	214	89300010	227	89400410	198	89700080	186	89900012	190
6672212197-142	15	68000319	25	82000356	214	89300016	225	89500002	214	89700081	186	89900013	193
6672222197-142	15	68000320	25	8236PST	106	89300017	225	89500008	214	89700082	186	89900014	191
6672212198-142	15	68000321	25	89000004	214	89300029	225	89500011	214	89700083	186	89900015	191
6672222198-142	15	68000325	22	89100000	204	89300039	223	89500012	214	89700084	186	89900016	191
66810011	23	68000326	22	89100001	204	89300039	226	89500013	214	89700085	186	89900098	187
66810011	16	68000348	25	89100002	204	89300040	223	89500014	214	89700086	186	89900022	191
66810012	23	68000349	92	89100003	204	89300041	226	89500497	223	89700087	186	89900023	191
66810012	16	68000349	25	89100004	204	89300045	226	89600040-89600049	231	89700088	186	89900024	191
66810024	16	68000350	92	89100006	204	89300049	226	89600050-89600059	231	89700089	186	89900033	190
66810025	16	68000350	25	89100008	204	89300051	223	89600060-89600069	231	89700090	186	89900034	191
66810031	17	68000351	92	89100010	204	89300053	223	89600070-89600079	231	89700091	186	89900037	191
66810032	23	68000351	25	89100015	206	89300053	225	89600080-89600089	231	89700092	186	89900043	191
66830008	26	68000356	17	89100016	206	89300054	225	89600090-89600099	231	89700093	186	89900050	191
66830008	25	68000357	17	89100018	206	89300054	223	89600100-89600109	231	89700094	186	89900052	191
66830008	25	68000358	17	89100019	206	89300055	225	89600110-89600119	230	89700095	186	89900056	191
66830010	26	68000359	17	89100022	206	89300057	223	89600120-89600129	230	89700096	186	89900057	191
66830010	25	68000360	15	89100023	206	89300060	225	89600130-89600139	230	89700097	186	89900198	192
66840003	17	68000361	15	89100024	206	89300060	21	89600140-89600149	230	89700098	186	89900199	192
66840005	17	68000362	15	89100025	206	89300060	223	89600150-89600159	230	89700125	188	89900200	192
66840007	32	68000363	15	89100026	206	89300061	225	89600160-89600169	230	89700126	188	89900202	192
66840008	32	68000368	22	89100027	206	89300064	227	89600160-89600169	230	89700137	188	89900203	192
66840009	32	68000425	22	89100029	206	89300070	158	89600166-89600175	231	89700138	188	89900204	192
66840010	32	68000463	21	89100029	206	89300099	223	89600170-89600179					

Limited Warranty and Key Terms of Supply by Lewmar

Lewmar warrants that in normal private pleasure boat usage and with proper maintenance its products will conform with their specification for a period of three years from the date of purchase by the end user, subject to the conditions, limitations and exceptions listed below. Any product, which proves to be defective in normal usage during that three-year period, will be repaired or, at Lewmar's option, replaced by Lewmar.

A CONDITIONS AND LIMITATIONS

- i Lewmar's liability shall be limited to the repair or replacement of any parts of the product which are defective in materials or workmanship.
- ii Responsibility for the selection of products appropriate for the use intended by the Buyer shall rest solely with the Buyer and Lewmar accepts no responsibility for any such selection.
- iii Lewmar shall not be liable in any way for Product failure, or any resulting loss or damage that arises from:
 - a. use of a product in an application for which it was not designed or intended;
 - b. corrosion, ultra violet degradation or wear and tear;
 - c. a failure to service or maintain the product in accordance with Lewmar's recommendations;
 - d. faulty or deficient installation of the product (unless conducted by Lewmar);
 - e. any modification or alteration of the product;
 - f. conditions that exceed the product's performance specifications or safe working loads.
 - g. Abuse
- iv Product subject to a warranty claim must be returned to the Lewmar outlet that supplied the product for examination unless otherwise approved by Lewmar in writing.
- v This warranty does not cover any incidental costs incurred for the investigation, removal, carriage, transport or installation of product.
- vi Service by anyone other than authorized Lewmar representatives shall void this warranty unless it accords with Lewmar guidelines and standards of workmanship.

vii Lewmar's products are intended for use only in the marine environment. Buyers intending to use them for any other purpose should seek independent professional advice as to their suitability. Lewmar accepts no liability arising from such other use.

B EXCEPTIONS

Cover under this Warranty is limited to a period of one year from the date of purchase by the end user in the case of any of the following products or parts of products:

- Electric motors and associated electrical equipment
- Electronic controls
- Hydraulic pumps, valves and actuators
- Hatch & Portlight weather seals
- Products used in "Grand Prix" racing applications
- Products used in commercial or charter applications
- Anchor rodes

C LIABILITY

- i Lewmar's liability under this warranty shall be to the exclusion of all other warranties or liabilities (to the extent permitted by law). In particular (but without limitation):
 - a. Lewmar shall not be liable for:
 - Any loss of anticipated turnover or profit or indirect, consequential or economic loss;
 - Damages, costs or expenses payable to any third party;
 - Any damage to yachts or equipment;
 - Death or personal Injury (unless caused by Lewmar's negligence).

Some states and countries do not allow the exclusion or limitation of incidental or consequential damages, so the above limitation or exclusion may not apply to you.

- b. Lewmar grants no other warranties regarding the fitness for purpose, use, nature or satisfactory quality of the products.
- ii Where applicable law does not permit a statutory or implied warranty to be excluded, then such warranty, if permitted by that state or country's law, shall be limited to a period of one year from

the date of purchase by the end user. Some states and countries do not allow limitations on how long an implied warranty lasts, so this limitation may not apply to you.

D PROCEDURE

Notice of a claim for service under this warranty shall be made promptly and in writing by the end user to the Lewmar outlet that supplied the product or to Lewmar Limited at Southmoor Lane, Havant, Hampshire PO9 1JJ, England.

E SEVERANCE CLAUSE

If any clause of this warranty is held by any court or other competent authority to be invalid or unenforceable in whole or in part, the validity of the remaining clauses of this warranty and the remainder of the clause in question shall not be affected.

F OTHER RIGHTS

This warranty gives you specific legal rights, and you may also have other legal rights, which vary from state to state and country to country.

In the case of European States a Consumer customer (as defined nationally) has legal rights under the applicable national law governing the sale of Consumer Goods; this Warranty does not affect those rights.

G LAW

This warranty shall be governed by and read in accordance with the laws of England or the state or country in which the first end user is domiciled at the time of purchase of the product.

H DISPUTES

Any dispute arising under this warranty may, at the option of the end-user, be referred to alternative dispute resolution under the rules of the British Marine Federation or to the Courts of the State whose law shall govern the warranty or to the Courts of England and Wales.

The British Marine Federation may be contacted at Marine House, Thorpe Lea Road, Egham, England, TW20 8BF

UK & International Distribution

Lewmar
Southmoor Lane
Havant
Hampshire
PO9 1JJ
England

Tel: +44 (0)23 9247 1841
Fax: +44 (0)23 9248 5720
Email: info@lewmar.com

USA

Lewmar
351 New Whitfield Street
Guilford, CT
06437
USA

Tel: +1 203 458 6200
Fax: +1 203 453 5669
Email: info@lewmar.com

Northern Europe

Lewmar
Popovstraat 12
8013 RK
Zwolle
Netherlands

Tel: +31 (0)38 427 34 90
Fax: +31 (0)38 421 56 42
Email: info@holland.lewmar.com

Southern Europe

Lewmar
18 rue Leonard de Vinci
Z.A.C. Belle Aire Nord
17440 AYTRE
France

Tel: +33 5 46 50 50 46
Fax: +33 5 46 50 59 04
Email: info@lewmar.com

Australia/Asia

Lewmar Navtec Australasia Pty. Ltd.
6/224 Headland Rd.
Dee Why
New South Wales
2099
Australia

Tel: +61 (2) 9936 7111
Fax: +61 (2) 9936 7112
Email: info@lewmar.com.au

LEWMAR®

www.lewmar.com

© Copyright 2007 Lewmar Ltd. All rights reserved.



B10402