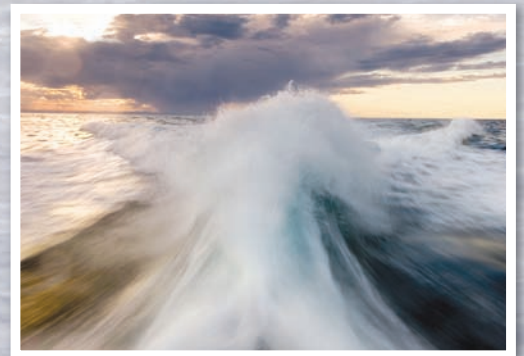


MARINE
EQUIPMENT
GUIDE | 08
09

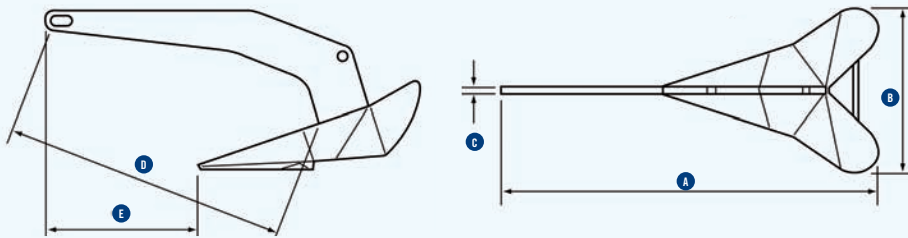


Delta™ Anchor

The Delta™ anchor is constructed of high-grade manganese steel and stainless steel for maximum tensile strength. Its unique shank profile and ballasted tip make it self-launching. And its low center of gravity and self-righting geometry ensure that it will set immediately.

Consistent and reliable in performance, the Delta™ anchor is guaranteed for life against breakage,* has Lloyd's Approval** as a High Holding Power anchor and is specified as the primary anchor used by numerous National Lifeboat organizations.

Delta™ Anchor Dimensions



Galvanized Delta™ Anchor

Stainless Steel Delta™ Anchor

Delta™ Anchor Specifications

Galvanized Part No	Stainless Part No	Anchor Weight		Recommended Chain Size		A		B		C		D		E	
		kg	lb	mm	in	mm	in	mm	in	mm	in	mm	in	mm	in
0057404		4	9	6-7	1/4	514	20 1/4	230	9	8	5/16	387	15 1/4	210	8 1/4
0057406	0057306	6	14	6-7	1/4	593	23 3/8	265	10 3/8	10	3/8	450	17 3/8	243	9 1/2
0057410	0057310	10	22	8	5/16	695	27 3/8	310	12 1/4	13	1/2	526	20 3/8	282	11 1/8
0057416	0057316	16	35	8	5/16	812	32	362	14 1/4	13	1/2	614	24 1/8	328	13
0057420	0057320	20	44	10	3/8	877	34 1/2	392	15 3/8	16	5/8	663	26 1/8	357	14
0057425	0057325	25	55	10	3/8	945	37 1/4	415	16 3/8	16	5/8	713	28	387	15 1/4
0057432	0057332	32	70	10	3/8	1023	40 1/4	453.5	17 3/8	20	3/4	775	30 1/2	425	16 3/4
0057440	0057340	40	88	10	3/8	1103	43 1/2	489	19 1/4	20	3/4	883	32 3/4	437	17 1/4
0057450	0057350	50	110	12	1/2	1175	46 1/4	523	20 1/2	20	3/4	890	35	479	18 3/8
0057463	0057363	63	140	12	1/2	1270	50	567	20 3/8	22	7/8	963	38	508	20

Delta™ Anchor Selection Guide

Boat Length Overall

Anchor Weight	Chain Size	Boat Length Overall									
		6 m 20 ft	9.2m 30 ft	12.2m 40 ft	15.2 m 50 ft	18.3 60 ft	21.3 70 ft	24.4 80ft	27.4 90ft		
Delta™ 4 9	6-7 1/4	█									
Delta™ 6 14	6-7 1/4		█								
Delta™ 10 22	8 5/16			█							
Delta™ 16 35	8 5/16				█						
Delta™ 20 44	10 3/8					█					
Delta™ 25 55	10 3/8						█				
Delta™ 32 70	10 3/8							█			
Delta™ 40 88	10 3/8								█		
Delta™ 50 110	10 3/8									█	
Delta™ 63 140	10 3/8										█

*Damage by deformation or bending is not covered by this guarantee.

**Lloyd's Test Certification is available for individual Delta™ anchors by arrangement.

CQR™ Anchor

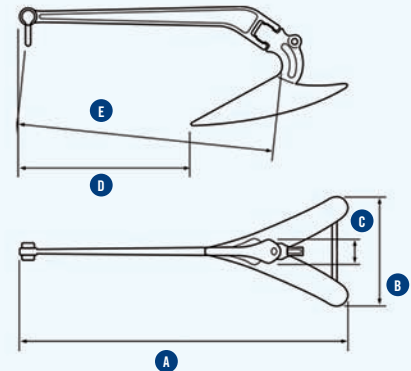
The CQR™ anchor has gained legendary status for its superior performance. The original drop forged construction of the CQR™ anchor increases its strength and reliability under load – a genuine CQR™ anchor will not break. Its hinged shank delivers consistent setting and holding even in the very worst conditions. The CQR™ anchor is guaranteed for life against breakage* and has Lloyd's Approval** as a High Holding Power anchor.



*Damage by deformation or bending is not covered by this guarantee.

**Lloyd's Test Certification is available for individual CQR™ anchors by arrangement.

CQR™ Anchor Dimensions



CQR™ Anchor Specifications

Galvanized Part No	Stainless Steel Part No	Anchor Weight		Recommended Chain Size		A		B		C		D		E	
		kg	lb	mm	in	mm	in	mm	in	mm	in	mm	in	mm	in
0056503	-	7	15	6	1/4	660	26	235	9 1/4	55	2 1/8	552	21 3/4	330	13
0056504	-	9	20	8	5/16	775	30 1/2	246	9 5/8	60	2 3/8	647	25 1/2	370	14 1/2
0056505	-	11	25	8	5/16	825	32 1/2	282	11 1/8	65	2 1/2	677	26 5/8	390	15 3/8
0056506	-	16	35	8	5/16	981	38 3/8	328	13	76	3	776	30 1/2	513	20 1/8
0056507	-	20	44	10	3/8	1037	40 3/8	355	14	83	3 1/4	828	32 1/2	528	20 3/4
0056508	0056205	27	60	10	3/8	1117	44	390	15 3/8	89	3 1/2	913	36	555	21 5/8
0056509	0056206	34	75	12	1/2	1190	46 7/8	412	16 1/4	94	3 3/4	978	38 1/2	570	22 1/2
0056510	0056207	48	105			1196	47	485	19	120	4 3/4	843	33 3/8	530	20 7/8
0056511	0056208	66	140			1337	52 3/8	537	21 1/8	128	5	933	36 3/4	583	23
0056513	0056209	81	180			1450	57	582	23	138	5 1/2	1010	39 3/4	634	25
0056515	0056210	108	240			1560	61 1/2	641	25 1/4	146	5 3/4	1105	43 1/2	694	27 3/8
0056530	0056211	137	300			1682	66 1/4	693	27 1/4	154	6	1194	47	746	29 3/8
0056540		182	400			1865	73 1/2	763	30	164	6 1/2	1319	52	828	32 1/2
0056550		227	500			2109	83	825	32 1/2	174	6 7/8	1430	56 1/4	875	34 1/2
0056560		273	600			2138	84 1/8	870	34 1/4	184	7 1/4	1511	59 1/2	949	37 3/8
0056570		318	700			2256	88 7/8	900	35 1/2	197	7 3/4	1589	62 1/2	996	39 1/4

CQR™ Anchor Selection Guide

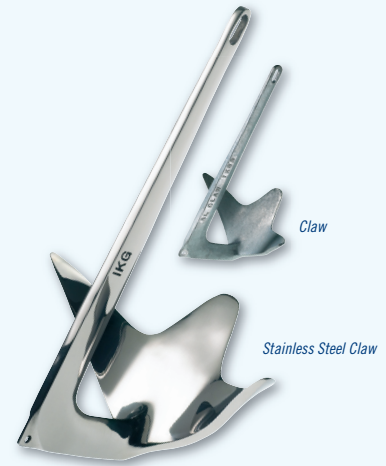
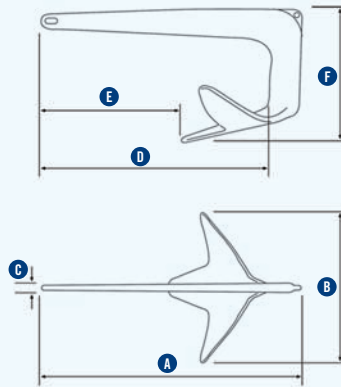
Anchor Weight	Chain Size	6 m		9.2m		12.2m		15.2 m		18.3		21.3	
		kg	lb	mm	in	mm	in	mm	in	mm	in	mm	in
CQR™	7 15	6	1/4										
CQR™	9 20	8	5/16										
CQR™	11 25	8	5/16										
CQR™	16 35	8	5/16										
CQR™	20 44	10	3/8										
CQR™	27 60	10	3/8										
CQR™	34 75	12	1/4										



Claw Anchor

Designed based on anchors used to secure oil rigs in the North Sea, The Claw anchor is constructed of high-grade steel cast in a single piece. It sets effortlessly, holds in a variety of seabeds and stows easily on the bow roller of most boats.

Claw Anchor Dimensions



Claw Anchor Specifications

Galvanized Part No	Stainless Part No	Anchor Weight		Recommended Chain Size		A		B		C		D		E		F	
		kg	lb	mm	in	mm	in	mm	in	mm	in	mm	in	mm	in	mm	in
0057901	0058901	1	2.2	5	3/16	290	11 7/16	200	7 7/8	6	1/4	265	10 5/16	155	6 1/8	150	5 7/8
0057902	0058902	2	4.4	5	3/16	360	14 3/16	250	9 13/16	8	5/16	325	12 3/4	190	7 1/2	180	7 1/16
0057905	0058905	5	11	5	3/16	470	18 1/2	310	12 3/16	10	3/8	415	16 5/16	270	10 5/8	230	9 1/16
0057907	0058907	7.5	16.5	6	1/4	495	19 1/2	330	13	10	3/8	430	16 15/16	280	11	260	10 1/4
0057910	0058910	10	22	8	5/16	540	21 1/4	360	14 3/16	11	7/16	465	18 3/16	305	12	285	11 1/4
0057915	0058915	15	33	10	3/8	625	24 3/8	420	16 3/16	13	1/2	530	20 7/8	340	13 3/8	330	13
0057920	0058920	20	44	10	3/8	700	27 3/16	460	18 1/8	17	11/16	590	23 1/4	365	14 3/8	335	13 3/16
0057930	0058930	30	66	12	1/2	825	32 1/2	525	20 1/16	19	3/4	705	27 3/4	425	16 3/4	395	15 5/16
0057950		50	110	16	5/8	955	37 3/8	645	25 3/8	23	15/16	780	30 1/16	490	19 1/16	440	17 1/16
0057980		80	176	20	3/4	1065	41 15/16	710	28	26	1	865	34 1/16	540	21 1/16	485	19 1/8

Note: Stainless Steel Claw dimensions vary greatly from the galvanized dimensions. Please visit Lewmar.com for exact specifications.

Claw™ Anchor Selection Guide

	Anchor Weight		Chain Size		6 m	9.2m	12.2m	15.2 m	18.3	21.3	24.4	27.4
	kg	lb	mm	in	20 ft	30 ft	40 ft	50 ft	60 ft	70 ft	80	90
Claw	1	2.2	5	3/16	■							
Claw	2	4.4	5	3/16	■	■						
Claw	5	11	5	3/16	■	■	■					
Claw	7.5	16.5	6	1/4	■	■	■	■				
Claw	10	22	8	5/16	■	■	■	■	■			
Claw	15	33	10	3/8	■	■	■	■	■	■		
Claw	20	44	10	3/8	■	■	■	■	■	■	■	
Claw	30	66	12	1/2	■	■	■	■	■	■	■	■
Claw	50	110	16	5/8	■	■	■	■	■	■	■	■
Claw	80	176			■	■	■	■	■	■	■	■

Anchor Rodes (USA only)

- Designed to complement the rope-chain gypsies fitted to all Lewmar windlasses
- Calibrated for even pitch
- Hot dip galvanized to minimize corrosion
- Welded for high strength
- Smooth rope-to-chain transition
- Helps your windlass operate smoothly
- Hand-sewn whipping guarantees against unraveling



Premium 3-Strand Rodes (USA only)

Part Number	Description
69000331	5' ¼" G4 X 100' ½" with 5/16" shackle
69000332	10' ¼" G4 X 150' ½" with 5/16" shackle
69000333	8' ¼" G4 X 200' ½" with 5/16" shackle
69000334	15' ¼" G4 X 200' ½" with 5/16" shackle
69000335	15' ¼" G4 X 300' ½" with 5/16" shackle
69000336	30' ¼" G4 X 250' ½" with 5/16" shackle
69000337	8' ⅝" G4 X 150' ½" with 3/8" shackle
69000338	15' ⅝" G4 X 150' ⅝" with 3/8" shackle
69000339	20' ⅝" G4 X 200' ⅝" with 3/8" shackle
69000340	30' ⅝" 3B X 250' ⅝" with 3/8" shackle
69000341	20' ⅝" G4 X 250' ⅝" with 3/8" shackle
69000342	20' ⅝" 3B X 200' ⅝" with 7/16" shackle
69000343	20' ⅝" G4 X 200' ¾" with 7/16" shackle
69000344	20' ⅝" G4 X 300' ¾" with 7/16" shackle

Premium 8-Plait Rodes (USA only)

Part Number	Description	
HM05HT100PX	5' ¼" G4 - 100' ½" 8PLT w/shackle	V700 & Pro-Series/Pro-Fish 700
HM10HT125PX	10' ¼" G4 - 125' ½" 8PLT w/shackle	V700 & Pro-Series/Pro-Fish 700
HM10HT200PX	10' ¼" G4 - 200' ½" 8PLT w/shackle	V700 & Pro-Series/Pro-Fish 700
HM15HT300PX	15' ¼" G4 - 300' ½" 8PLT w/shackle	V700 & Pro-Series/Pro-Fish 700
HM15H300PX	15' ⅝" G4 - 300' ⅝" 8PLT w/shackle	Pro-Series/Pro-Fish 1000, (V2&3 Use 001 gypsy)
HM30B130PX	30' ⅝" BBB - 130' ⅝" 8PLT w/shackle	Pro-Series/Pro-Fish 1000 and (Pro-Series/Pro-Fish 700 using 504 gypsy)
HM30B200PX	30' ⅝" BBB - 200' ⅝" 8PLT w/shackle	Pro-Series/Pro-Fish 1000
HM50H250PA	50' ⅝" G4 - 250' ⅝" 8PLT w/ 3/8" shackle	V2 / V3 Use 001 gypsy
HM50HS250PA	50' ⅝" G4 - 250' ¾" 8PLT w/ 7/16" shackle	V4 & 5 Use 203 gypsy

Measuring pitch and wire size of chain

Pitch and wire size can be used to determine the exact type of an unknown chain. They are always measured for accuracy in metric values with calipers.

Chain Standard Sizes

Chain is available to the following standards:

G4, Hi-Test, BBB, ISO, NF, DIN 766.

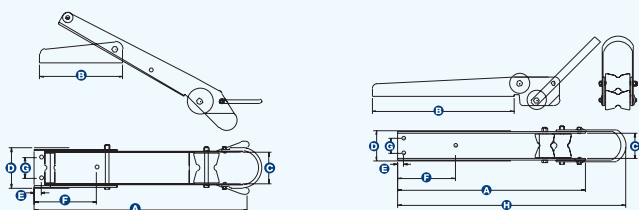
In a range of sizes from 6mm (1/4")–12mm (1/2").



Chain Sizes	Chain Pitch
π" G4 ISO Short link	21.3mm
5/16 G4 ISO Short link	26mm
3/8 G4 ISO Short link	30.9mm
π" 3B	22.1mm
5/16" 3B	25.1mm
3/8" 3B	27mm

Bow Rollers

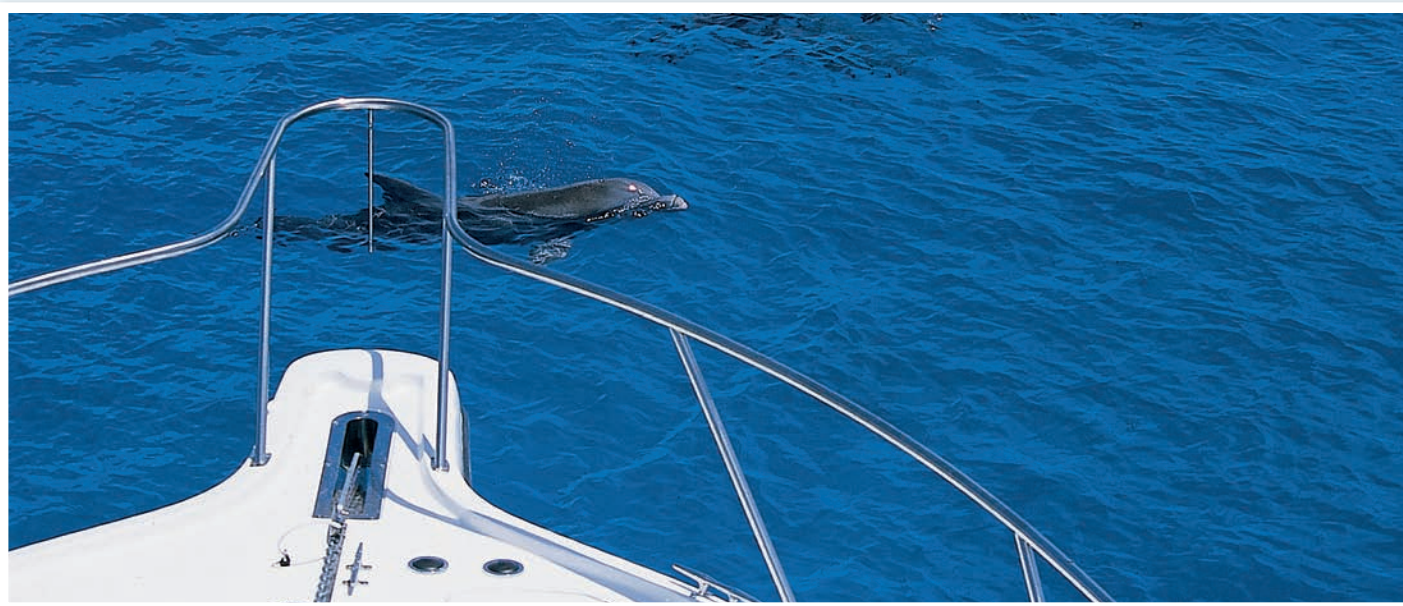
- Friction-free surface to make dropping and weighing anchor easier
- Won't damage the deck or topsides
- Allows you to safely stow anchor while cruising and deploy at short notice
- Constructed of 304 stainless steel
- Range of rollers to fit the most common combinations of anchor, mounting style and boat



Bow Roller Specifications

Part Number	Weight		Anchor Type	A		B		C		D		E		F		G		H	
	kg	lb		mm	in	mm	in	mm	in	mm	in	mm	in	mm	in	mm	in	mm	in
66840007	3.6	8	Any Fluke style to 35lb/16kg	524	20	103	8	76	3	99	3 7/8	16	5/8	153	6	51	2	-	-
66840008	4	9	14, 22 & 35lb (7, 10 & 16kg) Delta™ anchors	495	19 1/2	376	14 13/16	67	2 3/8	80	3 1/8	16	5/8	153	6	38	1 1/2	602	23 11/16
66840009	4.5	10	14, 22 & 35lb (7, 10 & 16kg) Delta™ anchors*	597	23 1/2	478	18 13/16	67	2 3/8	80	3 1/8	16	5/8	153	6	38	1 1/2	704	27 11/16
66840010	6	13	CQR™ anchors up to 44lb/20kg	490	19 5/16	356	14	89	3 1/2	102	4	16	5/8	153	6	51	2	adjustable	
66840014	2.3	5	Fits Sand (Danforth style) Anchors up to 35 lb	508	20	356	14	76	3	86	3 3/8	16	5/8	153	6	38	1 1/2	adjustable	
66840015	0.5	1	Utility Roller	153	6	102	4	41	1 3/8	51	2	16	5/8	80	3 1/8	19	3/4	159	6 1/4
66840016	0.9	2	Fits Sand (Danforth style) Anchors up to 20 lb/9kg. Special narrow width	291	15 3/8	292	11 1/2	40	1 5/16	51	2	16	5/8	153	6	19	3/4	396	15 3/8
66840017	5.5	12	Fits Claw Anchor and Bruce anchors up to 44 lb/20kg	610	24	328	12 9/10	64	2 1/2	76	3	16	5/8	153	6	38	1 1/2	adjustable	

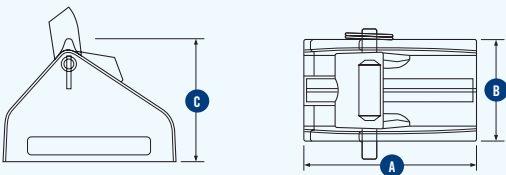
* Farther from the bow.





Chain Stoppers

Windlasses are not designed to hold high loads while a boat is at anchor. When the windlass is not in use and the boat is at anchor, the chain should be secured using a chain stopper or the rope rode should be attached to a load-bearing point such as a cleat. Lewmar has created a beautiful new range of cast stainless chain stoppers made from 316 stainless steel, perfect for sleep-filled nights and lazy lunches.



Anchor Safety Straps

Part Number	Description
66840027	Anchor Safety Strap 3mm Wire
66840028	Anchor Safety Strap 4mm Wire

Specifications

Part Number	Chain Size		A		B		C	
	mm	in	mm	in	mm	in	mm	in
66840049	8	5/16	76	3	40	1 1/16	17	11/16
66840050	10	3/8	76	3	40	1 1/16	17	11/16
66840051	12	1/2	100	3 15/16	52	2 1/16	24	15/16
66840052	14	9/16	110	3 15/16	58	2 5/16	25	1



66840028

Minimum 12"/305mm Long PVC Coated Stainless Steel



12mm Chain Stopper

Distributor List



Argentina

North Sails Sud Argentina

Del Arca 59
1646 San Fernando, Buenos Aires - Argentina
tel: +54 11 4725 0200
fax: +54 11 4746 7561
web: www.northsailsusdamerica.com



Australia

Barlow Distributors (Australia) Pty Ltd

177 Phillip Street, Redfern NSW, 2016 Australia
tel: +61 29 318 2128
email: barlow@hotmail.net.au

Harrold Marine Wholesale Pty Ltd

Unit 3/19 Success Street, Acacia Ridge, Brisbane, Queensland, 4110 Australia
tel: +61 73 277 6563
fax: +61 73 277 6567
email: hmw@optusnet.com.au

JPW (Aust) Pty Ltd

Unit 3, 51 Division Street
Welshpool, Western Australia, 6106 Australia
tel: +61 89 351 9266
fax: +61 89 351 9266
email: ghunter@jpwmarine.com.au



Austria

Alltechnik GmbH

Rheinboldtstrasse 11-13
A 2362 Biedermannsdorf
Bei Wien, Austria
tel: +43 2236 6467 60
fax: +43 2236 64676 76
email: office@allroundmarin.com
web: www.allroundmarin.com



Brazil

Sailing Products

Avenida das Americas, 500 BL 11/207 Downtown
Barra, CEP 22640-100
Rio De Janeiro, Brazil
tel: +55 2131549990
fax: +55 2124947223
email: sailing@sailing.com.br
web: www.sailing.com.br



Bulgaria

Yacht Shop Bulgaria (Transcommerce)

Passenger Terminal, 2 Floor
Port Varna, Bulgaria
tel: +359 52 69 22 99
email: info@LYyachting.com
web: www.LZyachting.com



Canada

Payne's Marine Group

2120 Quadra Street
Victoria, BC V8T 4B9, Canada
tel: +250 382 7722
fax: +250 382 4043
email: sales@paynesmarine.com
web: www.paynesmarine.com

Payne's Marine Group

2360 Industrial Street
Burlington, Ontario L7P 1A1, Canada
tel: +905 332 8291
fax: +905 332 0557
email: sales@paynesmarine.com
web: www.paynesmarine.com



Canary Islands

Rolnautic S.L.

Calla Cuzco No 8, El Cebadal
Las Pamas De Grand Canarias 35008, Canary Islands
tel: +34 928296811
fax: +34 9282300344
email: jcrodriguez@rolnautic.com



Chile

Winncorp LTDA

Tobalaba 1781, Providencia, Santiago, Chile
tel: +011 56 221 26494
fax: +011 56 224 67168



Croatia

Maritima d.o.o.

Put Sepurine 1
22203 Rogoznica, Croatia
tel: +385 (0) 22 558 130
fax: +385 (0) 22 558 131
email: info@nautical-equipment.com
web: www.nautical-equipment.com



Czech Republic

Avar Yacht

Areal ZD Veverske Kninice
664 81 Ostrovacice, Czech Republic
tel: +420 546 428015
fax: +420 546 428075
email: yacht@avaryacht.cz
web: www.avaryacht.cz



Denmark

Selden Mast A/S

Bakkegardsvej 406
DK-3050 Humlebaek, Denmark
tel: +45 39 18 44 00
fax: +45 39 27 17 00
email: info@seldenmast.dk
web: www.seldenmast.dk



Finland

Oy Maritim

P.O. Box 46, Veneentekijäntie 1
Helsinki 210, Finland
tel: +358 (0)207 65180
fax: +358 (0)207 652942
email: maritim@maritim.fi
web: www.maritim.fi



France

Accastillage Bernard

880 Avenue St Exuperiey, 6210, Mandelieu, France
tel: +33 4 93 90 47 47
fax: +33 4 93 90 47 53
email: contact@accastillage-bernard.fr
web: www.accastillage-bernard.com

Technique Distribution

Z.A. De Kermaquer, 56470, La Trinité Sur Mer, France
tel: +33 297557256
fax: +33 297557258
email: contact@technique-greement.com



Germany

Lankhorst/Hohorst GmbH

Bonifatiusstrasse 411, D 48432 Rheine, Germany
tel: +49 59 719707
fax: +49 59 716064
email: info@lankhorst-hohorst.de
web: www.lankhorst-hohorst.de



Gibraltar

M Sheppard & Co Ltd

Waterport Wharf, PO Box 899, Gibraltar
tel: +350 75148
fax: +350 42535
email: admin@sheppard.gi
web: www.sheppard.gi



Greece

Nautilus Ltd

Posidonos Av 33/, Metamorfoseos Str 2, Alimos
Athens 17455, Greece
tel: +30 210 9854238
fax: +30 210 9849 444
email: info@nautilus.gr
web: www.nautilus.gr



Hong Kong

Piercey Marine

93 Che Keng Tuk Road, Sai Kung, Hong Kong
tel: +(852) 27914106
fax: +(852) 27914124
email: pmltd@netnavigator.com



Hungary

Hullam 04 KFT

8220 Balatonalmadi, Füzfői ut 9, Hungary
tel: +36 88 432 897
fax: +36 88 432 897
info: info@fukeyacht.hu
www: www.fukeyacht.hu



Ireland

Western Marine

Bulloch Harbour, Dalkey
Co Dublin, Ireland
tel: +353 01 2800321
fax: +353 01 2800327
email: marine@iol.ie

Distributor List



Israel

Atlantis Marine Ltd

147, Kikar Atarim, 169 Hayarkon Street
Tel Aviv, 63453, Israel
tel: +972 3 522 7978
fax: +972 3 523 5150
email: atlantis@inter.net.il
web: www.atlantis-marine.co.il



Italy

Osculati Spa

via Pacinotti, 12
20090 Segrate (Milano), Italy
tel: +39 02 2699 111
fax: +39 02 26991120
email: info@osculati.it
web: www.osculati.com



Japan

ISCO/Industrial Suppliers Co Ltd SA

NAC Minato Building 2F
2-1-24 Kaigan, Minato-ku, Tokyo, 105-0022, Japan
tel: +81 3 5443 8231/8234
fax: +81 3 5443 8240/8241
email: sales@isco.co.jp
web: www.isco.co.jp

Nakamura Sengu Kogyo Co Ltd

6-15 Nagata-Higashi 3 Chome
Minami-Ku, Yokohama, 232, Japan
tel: +81 4 5713 5481
fax: +81 4 5713 8373
email: nakasen@marinevance.com



Kuwait

Seas & Deserts

Amiry Trade Centre, Shuwaikh Bank Street
PO Box 110, Safat 13002, Kuwait
tel: +965 4 849 212
fax: +965 4 845 346
email: sales@seadesert.com
web: www.seadesert.com



Malta

Gauci Borda & Co Ltd

53 Msida Road, Gzira, GZR 03, Malta
tel: +356 21313758
fax: +356 2134 3604
email: info@gauciborda.com
web: www.gauciborda.com



Martinique

Caraibes Greement

Boulevard Allegre
97290 Le Marin, Martinique
tel: +596 74 80 33
fax: +596 74 66 98
email: cgmar@wanadoo.fr



Netherlands

Lankhorst Taselaar Bv

Binnenhavenweg 31. 8211 AA
Lelystad, Netherlands
tel: +31 320 274611
fax: +31 320 231912
email: info@lankhorst-taselaar.nl
web: www.lankhorsttaselaar.nl



New Zealand

Kiwi Yachting Consultants Ltd

15 Westmoreland St West, Grey Lynn
Auckland, New Zealand
tel: +64 (0)9 360 0300
fax: +64 (0)9 360 0302
email: sales@kiwiyachting.co.nz
web: www.kiwiyachting.co.NZ



Norway

Leif H Strom A/S

Hasleveien 15, N-0571, Oslo, Norway
tel: +47 23 23 39 70
fax: +47 23 23 39 71
email: mail@stroem.no
web: www.stroem.No



Poland

Aura

Ul Przechodnia 13, 70-800 Szczecin, Poland
tel: +48 91 4613992
fax: +48 91 4613741
email: michal@aura.szczecin.pl
web: www.aura.szczecin.pl



Portugal

Grupo Euronete

Lugar do Rio, Nogueira da Maia
PO Box 1029, 4471-909 Maia, Portugal
tel: +351 229619200
fax: +351 229605757



Russia

000 Moreman

19, building 2
Gamalei street Moscow, 123098, Russia
tel: +7 495 1013362
fax: +7 499 1937111
email: info@moreman.ru
web: www.moreman.ru



Singapore

Alquest Marketing

66, Tannery Lane, #02-06B Sindo Building
347805, Singapore
tel: +65 6749 9359
fax: +65 6749 9360
email: jason@alquest.com.sg
web: www.alquest.com.sg



Slovenia

Seawave Marine D.O.O

Alpska Cesta 0043, 4248 Lesce, Slovenia
tel: +386 (0)4 5302 444
fax: +386 (0)4 5302 440
email: info@seawave-marine.si
web: www.seawave-marine.si



South Africa

Central Boating

85 Bree Street
Cape Town, 8001, South Africa
tel: +27 21 424 8026
fax: +27 21 424 2564
email: info@centralboating.co.za
web: www.centralboating.co.za



Spain

Acastillaje Synera SL

Passeig Joan de Borbós, 92, 08039
Barcelona, Spain
tel: +34 93 225 49 34
fax: +34 93 225 19 49
email: info@sinerarigging.com
web: www.sinerarigging.com



Sweden

Navship AB

Box 37, SE-427 21 Billdal, Sweden
tel: +46 31 93 96 00
fax: +46 31 91 45 56
email: info@navship.se
web: www.navship.se



Switzerland

Bucher + Walt SA

Route de Soleure 8, CH 2072 St Blaise, Switzerland
tel: +41 327 559500
fax: +41 327 559530
email: info@bucher-walt.ch
web: www.bucher-walt.ch



Taiwan

Marineware

2fl, No.172, Section 1 Ling Mi Road, Pali Shiang 249,
Taipei County, Taiwan
tel: +886 22618 8342



Thailand

Phuketsail

3/2-4 Moo 5, Koh Keaw, Phuket City,
Phuket, 83200, Thailand
tel: +66 76 377542
fax: +66 76 238494
email: ecommerce@phuleksail.com
web: www.phuketsail.com

Distributor List



Turkey

Kaptan Denizcilik Ticaret A.S.

Ahmet Mithat Efendi Cad 13/1,81030 Kalamis
Istanbul, Turkey

tel: +90 216 337 2000

fax: +90 216 348 2999

email: info@kaptandenizcilik.com

web: www.kaptandenizcilik.com



United Arab Emirates

Delma Industrial Supply & Marine Service

P.O. Box 53382

Abu Dhabi, UAE

tel: +971 2 6668153

fax: +971 2 6668154

email: disms@emirates.net.ae

Duboats Trading Llc

PO Box 53793

City Tower 2 Sheikh Zayed Road,
10th Floor, Office 1002

Dubai, UAE

tel: +971 04 332 7771

fax: +971 04 332 2456

email: c.vanek@duboats.com



United Kingdom

Bainbridge International Ltd

8 Flanders Park, Hedge End
Southampton, Hampshire, SO30 2FZ

tel: +44 (0)1489 776000

fax: +44 (0)1489 776048

email: info@bainbridgeint.co.uk

web: www.bainbridgeint.com

Whitlock South

17 Hollybank Lane,
Emsworth Hants, PO10 7UD

tel: +44 (0) 1243 430050

email: enquiries@winchservicing.com

web: www.winchservicing.com



USA

Lewmar

351 New Whitfield Street, Guilford, CT, 06437, USA

tel: +1 203 458 6200

fax: +1 203 453 5669

email: info@lewmarusa.com

For a complete list US distributors please visit:

<http://www.lewmar.com/usa/distributors.htm>



Venezuela

Intermarine

AV Intecomunal De Guatire

Cruse Con C, La Arenera, Venezuela

tel: +58 0212 344 16 77

fax: +58 0212 344 14 23

web: www.intermarine.com.ve

Caribbean

Antigua Rigging

Falmouth Harbor, Antigua

tel: +268 562 1294

fax: +268 463 8575

email: info@antiguarigging.com

web: www.antiguarigging.com

Budget Marine

Western Main Road, Chaguaramas, Trinidad

tel: +1 904-477-8011

email: sales@budmar.an

web: www.budmar.an

Caraibes Greement

2 Porte de la Marina, 97110 Pointe A Pitre

Guadeloupe, Guadeloupe

tel: +590 908201

fax: +590 909750

email: caraibe.greement@wanadoo.fr

FKG Marine Rigging & Fabrication NV

Postal Address: PO Box 5011, Philipsburg, St Maarten

Physical Address: 37 Wellington Road, Cole Bay,
St. Maarten, Netherlands Antille

tel: +599 544 4733

mobile: +599 557 8502

fax: +599 544 2171

email: info@fkg-marine-rigging.com

web: www.fkg-marine-rigging.com

Island Rigging and Hydraulics

8186 Sub Base Road, Suite 4

St. Thomas, USVI, 00802

tel: 011-340-774-6833

fax: 011-340-774-5024

email: islrig@viaccess.net

Martinez Marine Service

Puerto del Rey Marina Suite #103

Highway #3, Km 51.4

Fajardo, PR, 00738

tel: (787) 863-4646

fax: (787) 272-8172

web: www.martinezmachine.com



Limited Warranty and Key Terms of Supply by Lewmar

Lewmar warrants that in normal private pleasure boat usage and with proper maintenance its products will conform with their specification for a period of three years from the date of purchase by the end user, subject to the conditions, limitations and exceptions listed below. Any product, which proves to be defective in normal usage during that three-year period, will be repaired or, at Lewmar's option, replaced by Lewmar.

A CONDITIONS AND LIMITATIONS

- i Lewmar's liability shall be limited to the repair or replacement of any parts of the product which are defective in materials or workmanship.
- ii Responsibility for the selection of products appropriate for the use intended by the Buyer shall rest solely with the Buyer and Lewmar accepts no responsibility for any such selection.
- iii Lewmar shall not be liable in any way for Product failure, or any resulting loss or damage that arises from:
 - a. use of a product in an application for which it was not designed or intended;
 - b. corrosion, ultra violet degradation or wear and tear;
 - c. a failure to service or maintain the product in accordance with Lewmar's recommendations;
 - d. faulty or deficient installation of the product (unless conducted by Lewmar);
 - e. any modification or alteration of the product;
 - f. conditions that exceed the product's performance specifications or safe working loads.
 - g. Abuse
- iv Product subject to a warranty claim must be returned to the Lewmar outlet that supplied the product for examination unless otherwise approved by Lewmar in writing.
- v This warranty does not cover any incidental costs incurred for the investigation, removal, carriage, transport or installation of product.
- vi Service by anyone other than authorized Lewmar representatives shall void this warranty unless it accords with Lewmar guidelines and standards of workmanship.

vii Lewmar's products are intended for use only in the marine environment. Buyers intending to use them for any other purpose should seek independent professional advice as to their suitability. Lewmar accepts no liability arising from such other use.

B EXCEPTIONS

Cover under this Warranty is limited to a period of one year from the date of purchase by the end user in the case of any of the following products or parts of products:

- Electric motors and associated electrical equipment
- Electronic controls
- Hydraulic pumps, valves and actuators
- Hatch & Portlight weather seals
- Products used in "Grand Prix" racing applications
- Products used in commercial or charter applications
- Anchor rodes

C LIABILITY

- i Lewmar's liability under this warranty shall be to the exclusion of all other warranties or liabilities (to the extent permitted by law). In particular (but without limitation):
 - a. Lewmar shall not be liable for:
 - Any loss of anticipated turnover or profit or indirect, consequential or economic loss;
 - Damages, costs or expenses payable to any third party;
 - Any damage to yachts or equipment;
 - Death or personal Injury (unless caused by Lewmar's negligence).

Some states and countries do not allow the exclusion or limitation of incidental or consequential damages, so the above limitation or exclusion may not apply to you.

- b. Lewmar grants no other warranties regarding the fitness for purpose, use, nature or satisfactory quality of the products.
- ii Where applicable law does not permit a statutory or implied warranty to be excluded, then such warranty, if permitted by that state or country's law, shall be limited to a period of one year from

the date of purchase by the end user. Some states and countries do not allow limitations on how long an implied warranty lasts, so this limitation may not apply to you.

D PROCEDURE

Notice of a claim for service under this warranty shall be made promptly and in writing by the end user to the Lewmar outlet that supplied the product or to Lewmar Limited at Southmoor Lane, Havant, Hampshire PO9 1JJ, England.

E SEVERANCE CLAUSE

If any clause of this warranty is held by any court or other competent authority to be invalid or unenforceable in whole or in part, the validity of the remaining clauses of this warranty and the remainder of the clause in question shall not be affected.

F OTHER RIGHTS

This warranty gives you specific legal rights, and you may also have other legal rights, which vary from state to state and country to country.

In the case of European States a Consumer customer (as defined nationally) has legal rights under the applicable national law governing the sale of Consumer Goods; this Warranty does not affect those rights.

G LAW

This warranty shall be governed by and read in accordance with the laws of England or the state or country in which the first end user is domiciled at the time of purchase of the product.

H DISPUTES

Any dispute arising under this warranty may, at the option of the end-user, be referred to alternative dispute resolution under the rules of the British Marine Federation or to the Courts of the State whose law shall govern the warranty or to the Courts of England and Wales.

The British Marine Federation may be contacted at Marine House, Thorpe Lea Road, Egham, England, TW20 8BF

UK & International Distribution

Lewmar
Southmoor Lane
Havant
Hampshire
PO9 1JJ
England

Tel: +44 (0)23 9247 1841
Fax: +44 (0)23 9248 5720
Email: info@lewmar.com

USA

Lewmar
351 New Whitfield Street
Guilford, CT
06437
USA

Tel: +1 203 458 6200
Fax: +1 203 453 5669
Email: info@lewmar.com

Northern Europe

Lewmar
Popovstraat 12
8013 RK
Zwolle
Netherlands

Tel: +31 (0)38 427 34 90
Fax: +31 (0)38 421 56 42
Email: info@holland.lewmar.com

Southern Europe

Lewmar
18 rue Leonard de Vinci
Z.A.C. Belle Aire Nord
17440 AYTRE
France

Tel: +33 5 46 50 50 46
Fax: +33 5 46 50 59 04
Email: info@lewmar.com

Australia/Asia

Lewmar Navtec Australasia Pty. Ltd.
6/224 Headland Rd.
Dee Why
New South Wales
2099
Australia

Tel: +61 (2) 9936 7111
Fax: +61 (2) 9936 7112
Email: info@lewmar.com.au

LEWMAR®

www.lewmar.com

© Copyright 2007 Lewmar Ltd. All rights reserved.



B10402